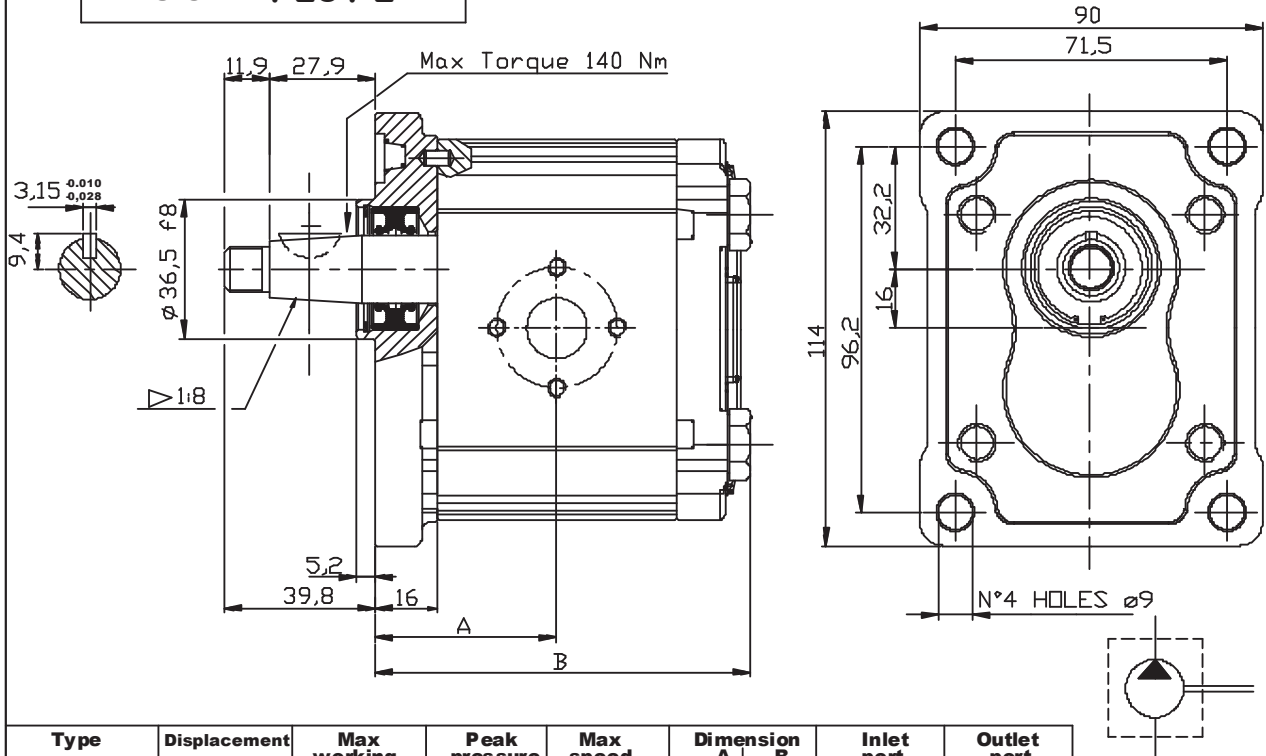
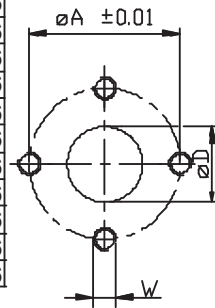


GROUP 2 PUMPS- EUROPEAN STANDARD

VERSION: P28 P2



| Type | Displacement (cc/rev) | Max working pressure P1 (bar) | Peak pressure P3 (bar) | Max speed (r.p.m) | Dimension | | Inlet port | | | Outlet port | | |
|------------|--------------------------|-------------------------------------|---------------------------------|----------------------|-----------|-------|------------|----|----|-------------|----|----|
| | | | | | A | B | ØD | ØA | W | ØD | ØA | W |
| OT 200 P04 | 04,10 | 250 | 300 | 4000 | 40,00 | 83,50 | 13 | 30 | M6 | 13 | 30 | M6 |
| OT 200 P06 | 06,20 | 250 | 300 | 3500 | 41,50 | 86,50 | 13 | 30 | M6 | 13 | 30 | M6 |
| OT 200 P08 | 08,20 | 250 | 300 | 3500 | 43,00 | 89,50 | 13 | 30 | M6 | 13 | 30 | M6 |
| OT 200 P11 | 11,20 | 250 | 300 | 3500 | 45,15 | 93,80 | 13 | 30 | M6 | 13 | 30 | M6 |
| OT 200 P14 | 14,00 | 240 | 300 | 3000 | 47,15 | 97,80 | 20 | 40 | M8 | 13 | 30 | M6 |
| OT 200 P16 | 16,00 | 240 | 300 | 3000 | 48,60 | 100,7 | 20 | 40 | M8 | 13 | 30 | M6 |
| OT 200 P20 | 20,00 | 200 | 240 | 3000 | 51,50 | 106,5 | 20 | 40 | M8 | 13 | 30 | M6 |
| OT 200 P22 | 22,50 | 170 | 210 | 2500 | 57,35 | 118,2 | 20 | 40 | M8 | 13 | 30 | M6 |
| OT 200 P25 | 25,10 | 170 | 210 | 2500 | 59,25 | 122,0 | 20 | 40 | M8 | 13 | 30 | M6 |
| OT 200 P28 | 28,00 | 140 | 180 | 2500 | 61,35 | 126,2 | 20 | 40 | M8 | 13 | 30 | M6 |
| OT 200 P30 | 30,00 | 130 | 170 | 2000 | 62,75 | 129,0 | 20 | 40 | M8 | 13 | 30 | M6 |



EXAMPLE OF ORDERING CODE

OT200 P 08 S / P 28 P2

Series

Pump

Displacement (see above table)

Rotation

S Anti-clockwise

D Clockwise

European standard flange

Taper shaft (1:8)

Body for European flanges