

Working title:

Customer Part No: Amab+std

Valve type: RM274

Valve specification: RM 270

Status: Manufacture

Part No:1604-006313

Made by: Jan Ekström

Updated: 2011-08-16

Date of reg:2010-10-04

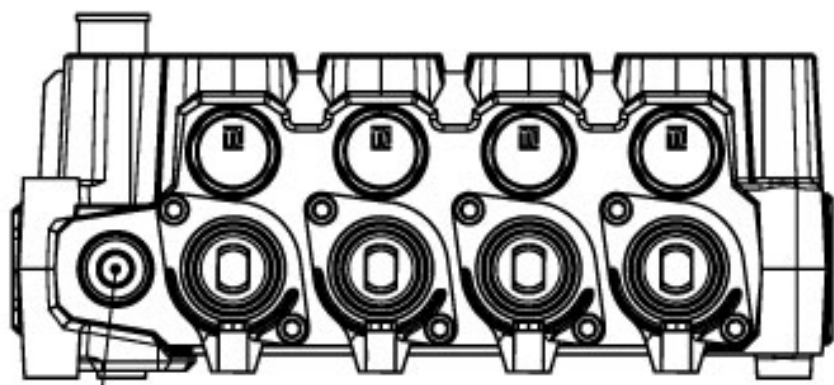
Print date:2019-03-22



Monobl.valve	AA00	Body	BN00	Main relief valve	BN04	Check valve B-side	AA20	El.contr.v.
		RM274A 2005-6927165		TBD200-260 2275-200246		MB01 2250-220017		PE50 2310-6919227

		1	2	3	4	5	6	7	8	9	10
BH	Spool	107AA1 2125-3905331	107AA1 2125-3905331	107AA1 2125-3905331	107AA1 2125-3905331						
	Function										
BS	Instr. assembly										
CE	Service port valve A-side	P204 2310-3900371	P204 2310-3900371	P204 2310-3900371	P204 2310-3900371						
CP	Service port valve B-side	P204 2310-3900371	P204 2310-3900371	P204 2310-3900371	P204 2310-3900371						
DB	Spool control A-side	PMK2 2175-804292	PMK2 2175-804292	PMK2 2175-804292	PMK2 2175-804292						
DM	Spool control B-side	M19 2200-269632	M19 2200-269632	M19 2200-269632	M19 2200-269632						
DY	Port A	PPG4 8030-000041	PPG4 8030-000041	PPG4 8030-000041	PPG4 8030-000041						
EJ	Port B	PPG4 8030-000041	PPG4 8030-000041	PPG4 8030-000041	PPG4 8030-000041						





BN04

CE

DB

AA00

T1  
FQ

P2  
FF

DM

BH

BN00

DY

T2  
FQ

P3  
FF

EJ

AA20

P1  
FF

CP

