

Working title:

Customer Part No: GEHAB+3+dbl+1+e



Valve type: RM274 Valve specification: RM 270 Status: Manufacture Part No:1604-004892

Made by: Jan Ekström Updated: 2011-06-15

Date of reg:2009-10-19 Print date:2019-03-25

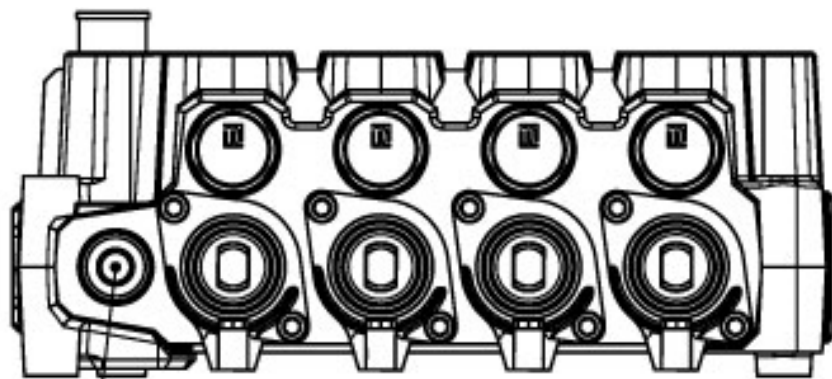
Monobl.valve	AA00	Body	BN00	Main relief valve	BN04	Check valve B-side	AA20	El.contr.v.
		RM274A 2005-6927165		TBD200-300 2275-200254		MB01 2250-220017		PE50 2310-6919227

		1	2	3	4	5	6	7	8	9	10
BH	Spool	312AA1 2125-269844	107AA1 2125-3905331	107AA1 2125-3905331	207AA1 2125-3905241						
	Function										
BS	Instr. assembly										
CE	Service port valve A-side	TBSD205-160 2275-701160	TBSD205-160 2275-701160	TBSD205-160 2275-701160	TBD205-160 2275-703160						
CP	Service port valve B-side	TBSD205-160 2275-701160	TBSD205-160 2275-701160	TBSD205-160 2275-701160	P204 2310-3900371						
DB	Spool control A-side	P5MK2 2175-803890	PMK2 2175-804292	PMK2 2175-804292	PMK2 2175-804292						
DM	Spool control B-side	M212 2200-6929991	M19 2200-269632	M19 2200-269632	M19 2200-269632						
DY	Port A	PPG34 8030-450513	PPG34 8030-450513	PPG34 8030-450513	PPG34 8030-450513						
EJ	Port B	PPG34 8030-450513	PPG34 8030-450513	PPG34 8030-450513	PG06 2310-450100						

Part No: 1604-004892

FF	Pressure ports	P1	P2	P3
		PPG34 8030-450513	PG06 2310-450100	
FQ	Tank ports	T1	T2	
		SG25 2230-260049	PPG34 8030-450513	
FV	Instr. testing			
FY	Instr. testing	PHAPG 8052-296059		

Remain.spec.	GC04	Connecting manifold 1	GC09	Miscellaneous	GC12	Instruction marking	BS	Instr. assembly
						PHAMG 8052-295000		
	GC13	Type Plate	GC16	Instruction packing	GC20	Instruction painting	GC28	Customer No
				PHAEG 8052-291000		PHAMN2S4 3140-700863		



BN04

CE

DB

AA00

T1
FQ

P2
FF

DM

BH

BN00

DY

T2
FQ

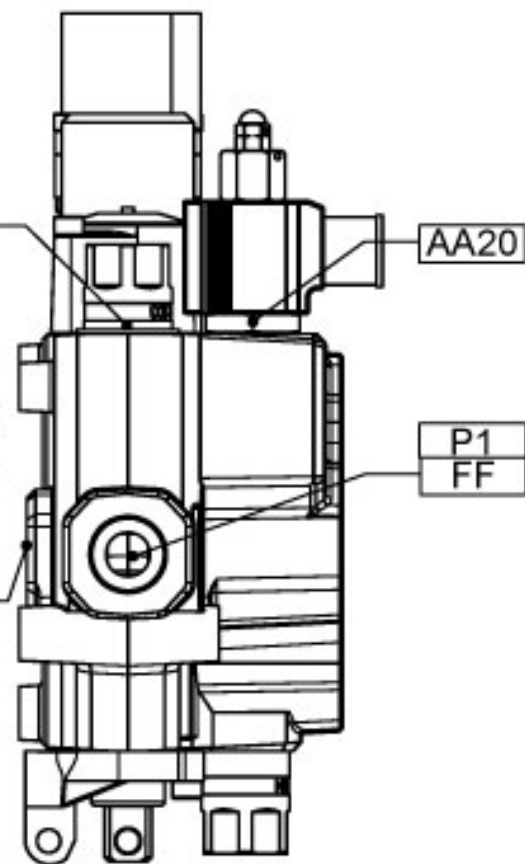
P3
FF

EJ

AA20

P1
FF

CP



CP