



Nordhydraulic
HYDAC INTERNATIONAL

Spare part list RM 270
Part No 1604-004892



Nordhydraulic AB

P.O Box 189

(Industrivägen 15)

SE-872 24 Kramfors

Sweden

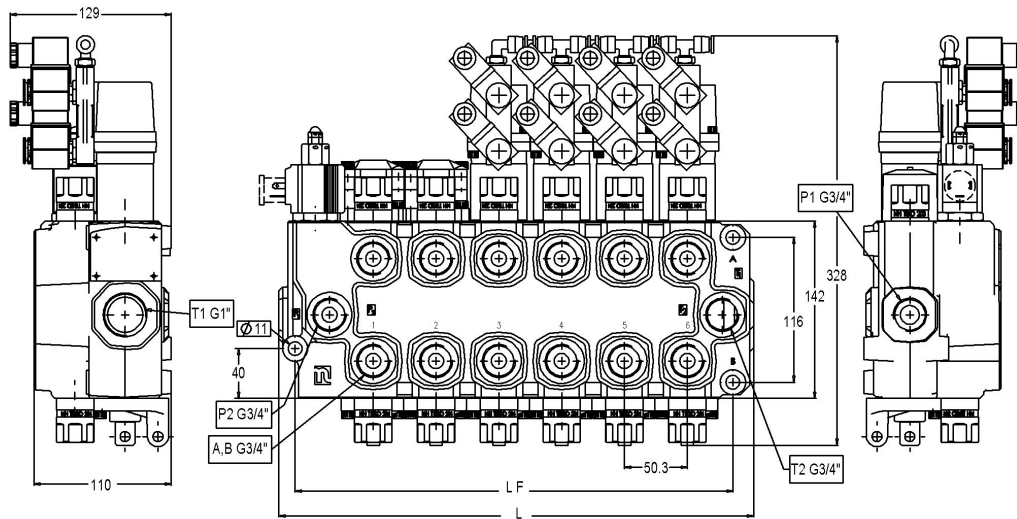
Telephone: Int. +46 612 71 72 00

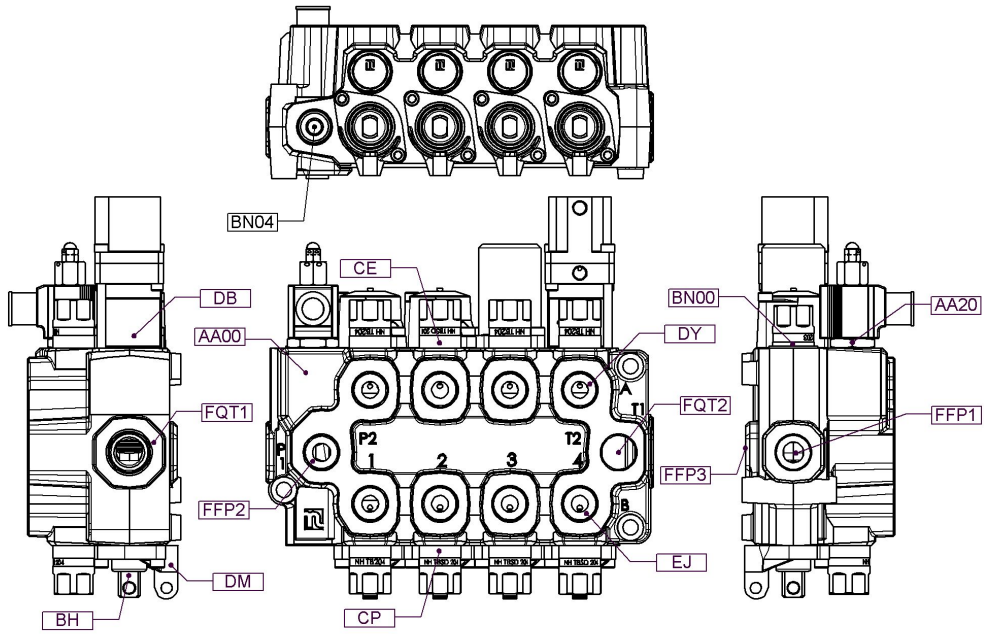
Telefax: Int. +46 612 71 72 15


E-mail: info@nordhydraulic.se

Web: www.nordhydraulic.se

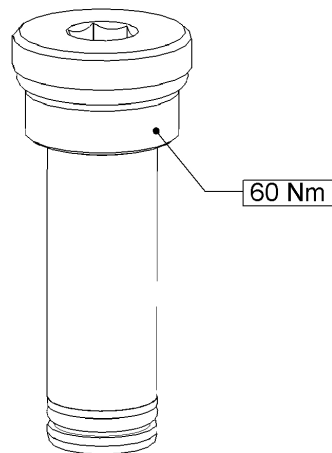






 Spare part list	Valve type RM 270	Coordinat AA20
	Created 2019-03-26	


PE50



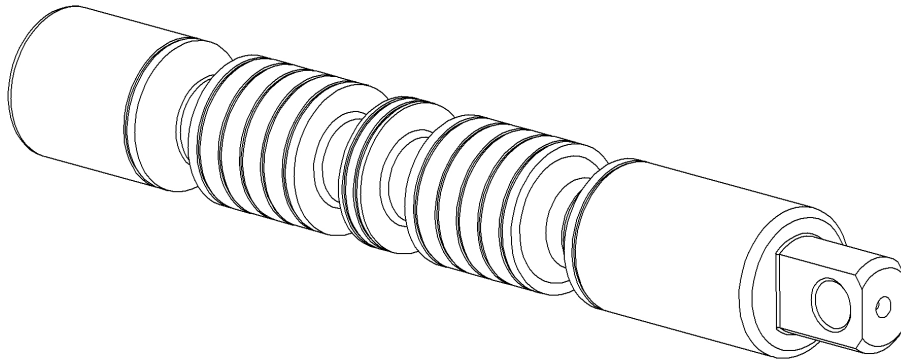
Part No
2310-6919227

Description
Plug, fits the same cavity as IS12, IS24 and IL24

Notes:

 Spare part list	Valve type RM 270	Coordinat BH
	Created 2019-03-26	


107AA1



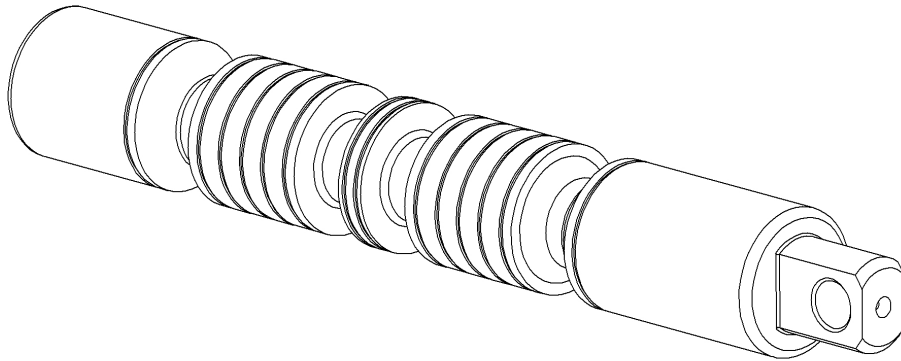
Part No
2125-3905331

Description
Spool, double acting, 50-90 l/min

Notes:

 Spare part list	Valve type RM 270	Coordinat BH
	Created 2019-03-26	

207AA1




Part No

2125-3905241

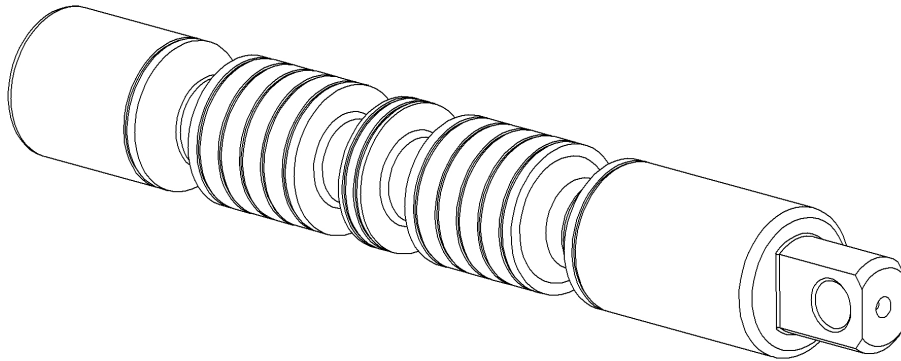
Description

Spool, single acting, P-A, 50-90 l/min

Notes:

 Spare part list	Valve type RM 270	Coordinat BH
	Created 2019-03-26	

312AA1



Part No	Description
2125-269844	Spool, double acting with 4th pos for float, 50-90 l/min

Notes:



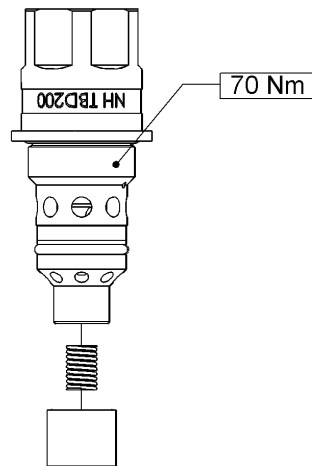
Spare part list

Valve type RM 270

Coordinat BN00

Created 2019-03-26

TBD200



Part No

2275-210672

Description

Main relief valve with sealing washer

Notes:



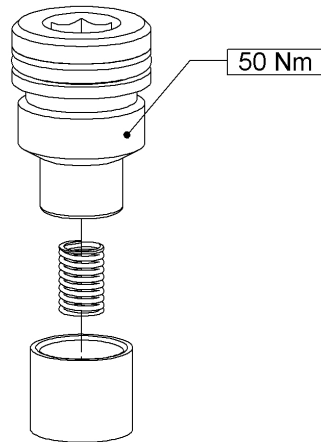
Spare part list

Valve type RM 270

Coordinat BN04

Created 2019-03-26


MB01



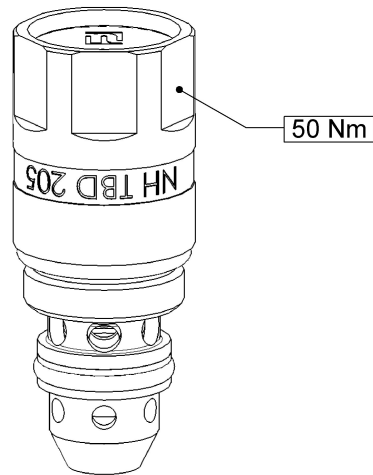
Part No
2250-220017

Description
Check valve

Notes:

 Spare part list	Valve type RM 270	Coordinat CE
	Created 2019-03-26	

TBD205



Part No
2275-805610

Description
Service port valve.

Notes:



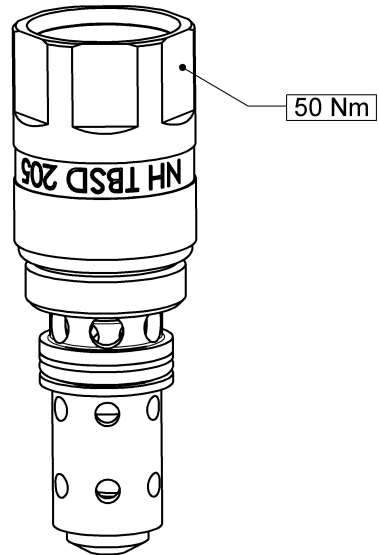
Spare part list

Valve type RM 270

Coordinat CE

Created 2019-03-26

TBSD205




Part No

2275-808032

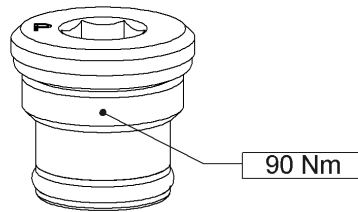
Description

Service port valve, state pressure when ordering

Notes:

 Spare part list	Valve type RM 270	Coordinat CP
	Created 2019-03-26	

P204



Part No
2310-3900371

Description
Plug

Notes:



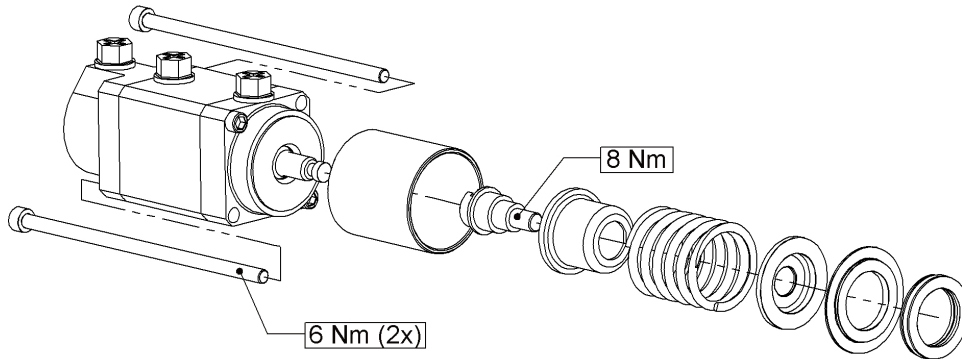
Spare part list

Valve type RM 270

Coordinat DB

Created 2019-03-26

P5MK2



Part No

2175-803890

Description

Spool control, 4 pos, for pneumatic control

Notes:



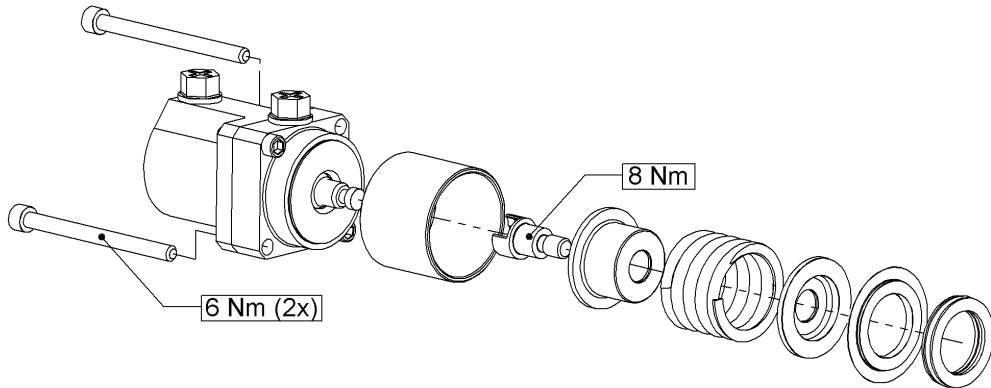
Spare part list

Valve type RM 270

Coordinat DB

Created 2019-03-26

PMK2



Part No

2175-804292

Description

Spool control 3pos, for pneumatic control.

Notes:



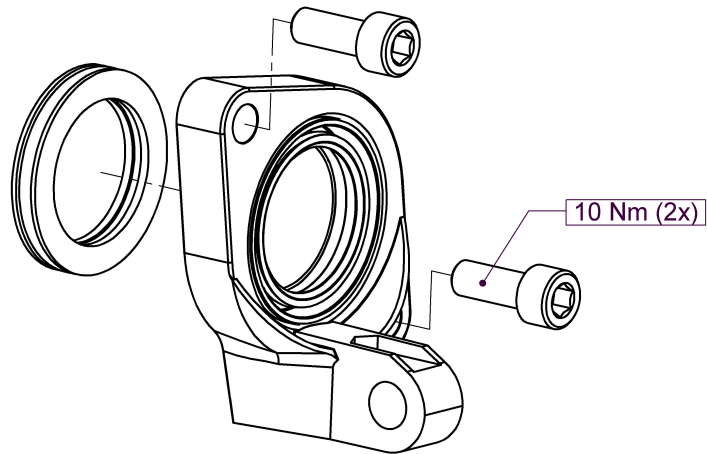
Spare part list

Valve type RM 270

Coordinat DM

Created 2019-03-26

M19



Part No

2200-269632

Description

Bracket for 3 pos spool

Notes:



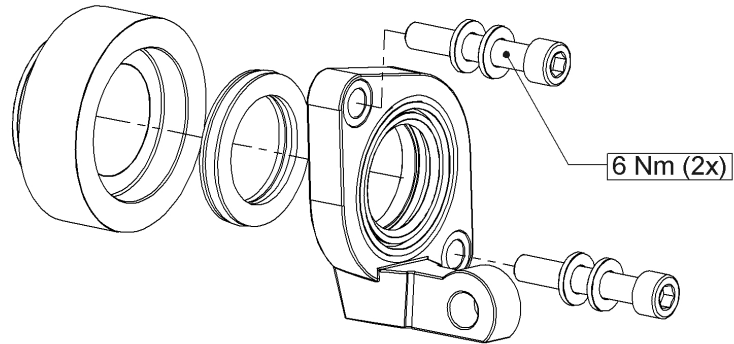
Spare part list

Valve type RM 270

Coordinat DM

Created 2019-03-26


M212



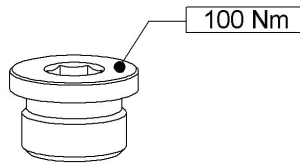
Part No
2200-6929991

Description
Bracket for 4 pos spool

Notes:

 Spare part list	Valve type RM 270	Coordinat EJ
	Created 2019-03-26	

PG06




Part No

2310-450100

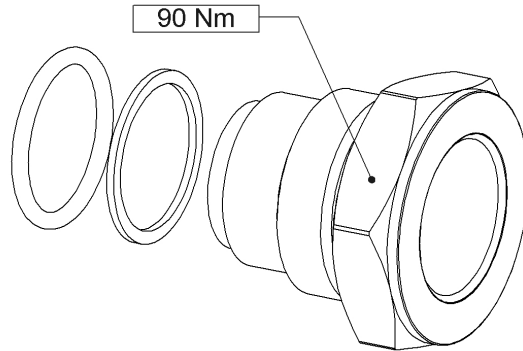
Description

Plug G 3/4", with O-ring seal

Notes:

 Spare part list	Valve type RM 270	Coordinat FQ
	Created 2019-03-26	

SG25



Part No
2230-260049

Description
High pressure carry over nipple.

Notes:

