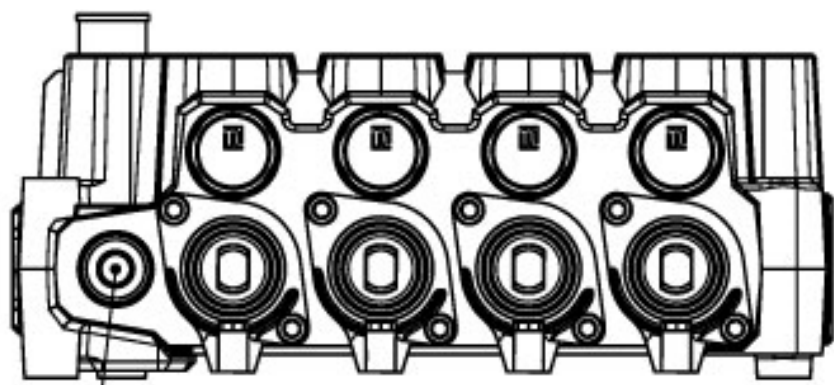


Monobl.valve	AA00	Body	BN00	Main relief valve	BN04	Check valve B-side	AA20	El.contr.v.
		RM276G06 2005-6926380		TBD200-260 2275-200246		MB01 2250-220017		PE50 2310-6919227

		1	2	3	4	5	6	7	8	9	10
BH	Spool	107AA1 2125-3905331	107AA1 2125-3905331	107AA1 2125-3905331	107AA1 2125-3905331	107AA1 2125-3905331	107AA1 2125-3905331				
	Function										
BS	Instr. assembly										
CE	Service port valve A-side	P204 2310-3900371	P204 2310-3900371	P204 2310-3900371	P204 2310-3900371	P204 2310-3900371	P204 2310-3900371				
CP	Service port valve B-side	P204 2310-3900371	P204 2310-3900371	P204 2310-3900371	P204 2310-3900371	P204 2310-3900371	P204 2310-3900371				
DB	Spool control A-side	PMK2 2175-804292	PMK2 2175-804292	PMK2 2175-804292	PMK2 2175-804292	PMK2 2175-804292	PMK2 2175-804292				
DM	Spool control B-side	M19 2200-269632	M19 2200-269632	M19 2200-269632	M19 2200-269632	M19 2200-269632	M19 2200-269632				
DY	Port A	PPG4 8030-000041	PPG4 8030-000041	PPG4 8030-000041	PPG4 8030-000041	PPG4 8030-000041	PPG4 8030-000041				
EJ	Port B	PPG4 8030-000041	PPG4 8030-000041	PPG4 8030-000041	PPG4 8030-000041	PPG4 8030-000041	PPG4 8030-000041				



BN04

CE

BN00

AA20

DB

DY

AA00

T2
FQ

T1
FQ

P1
FF

P2
1

T2
4

P3
FF

P2
FF

EJ

BH

CP

DM

