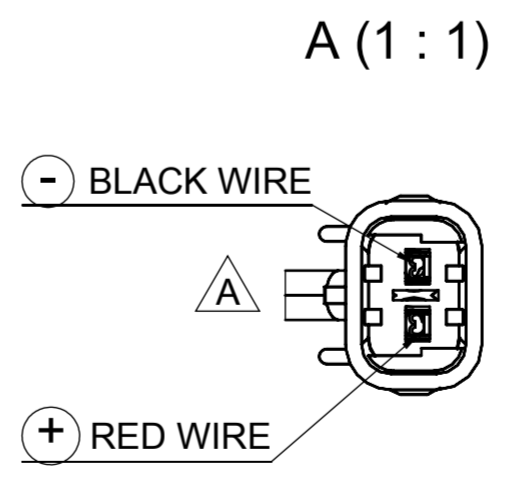
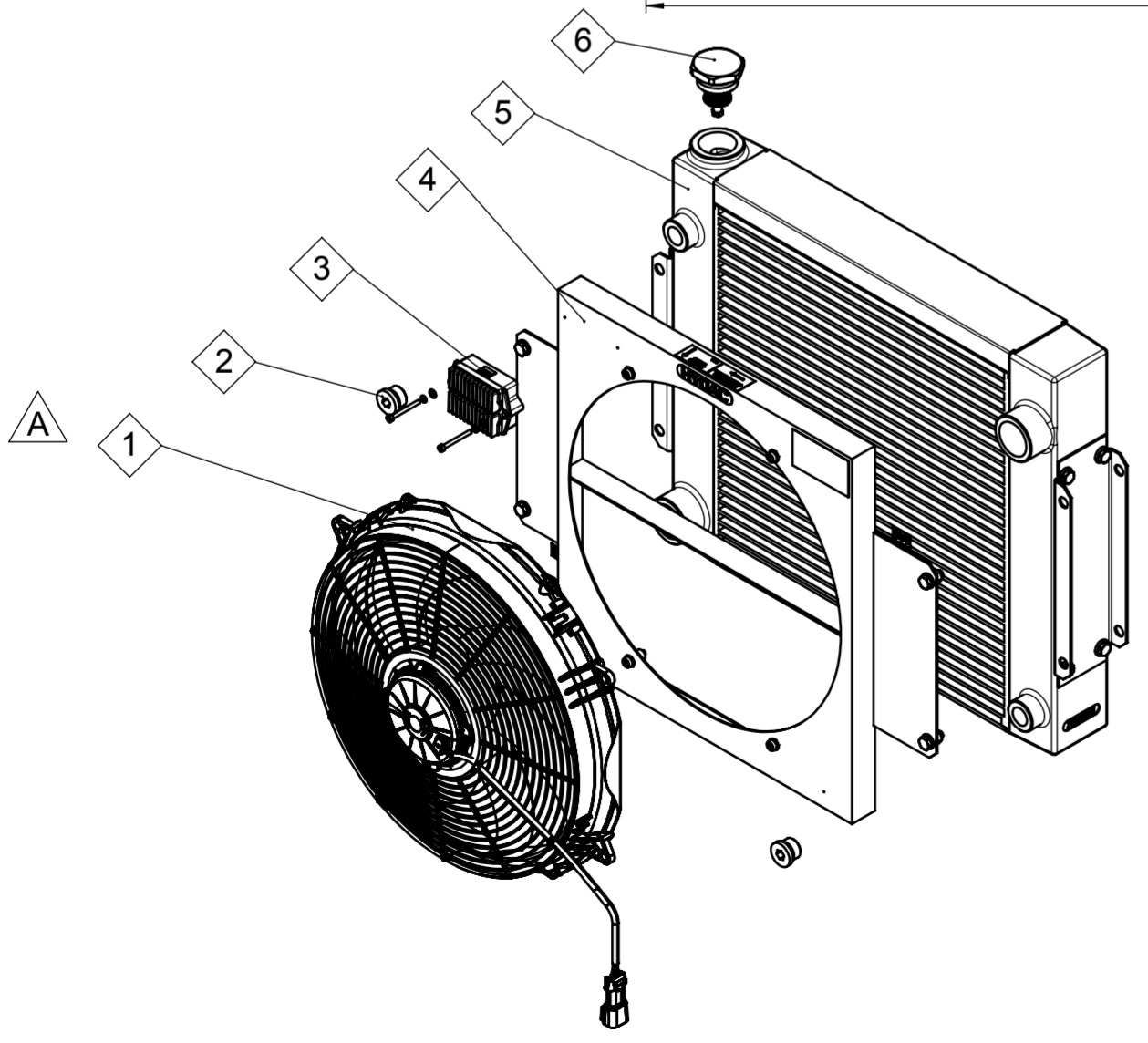
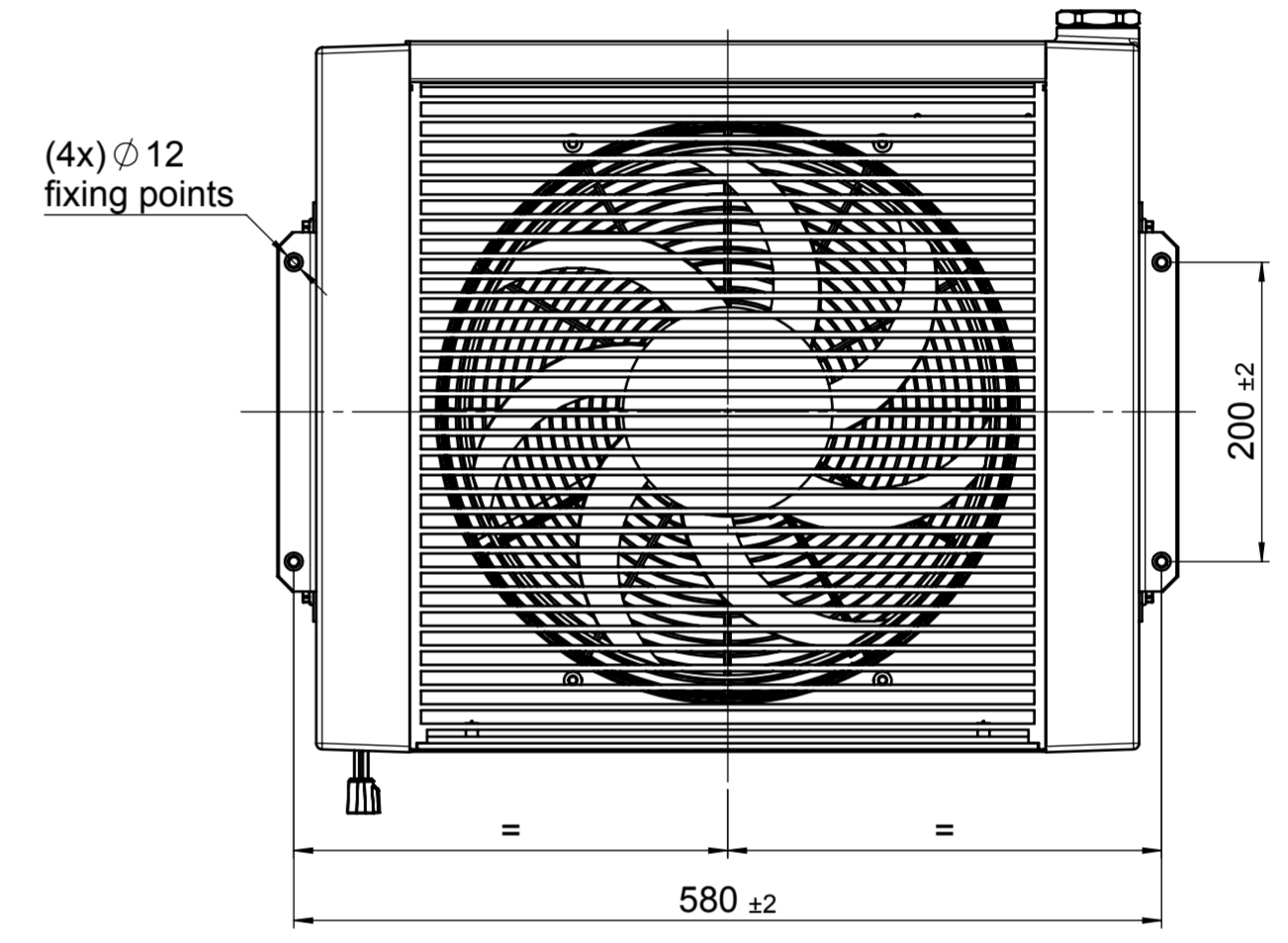
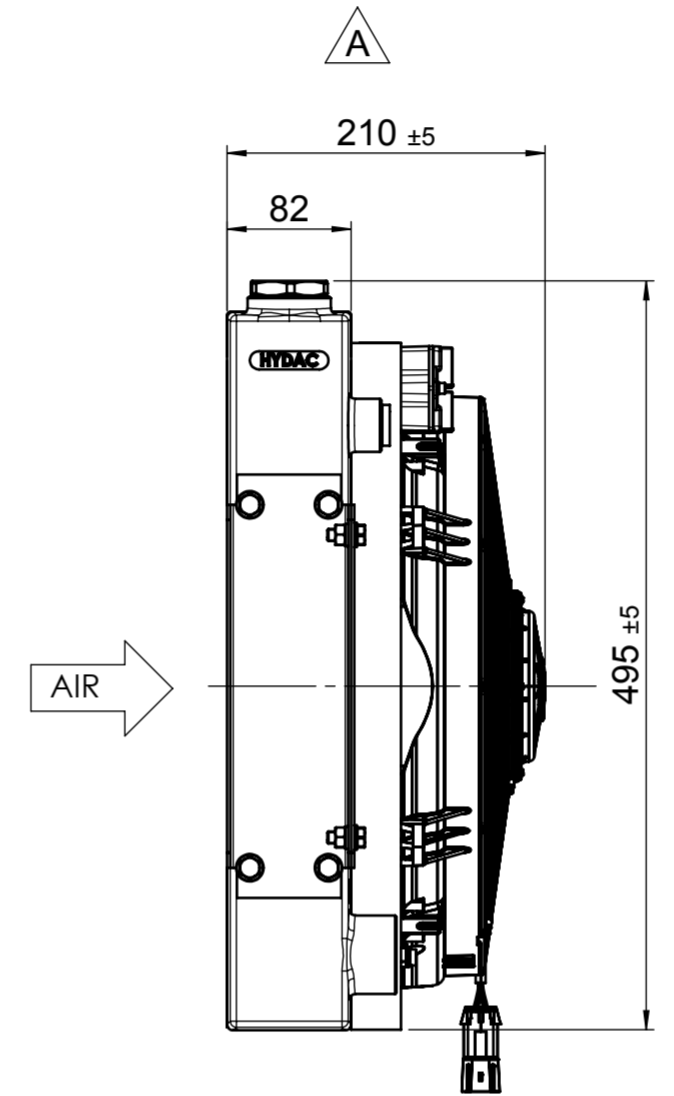
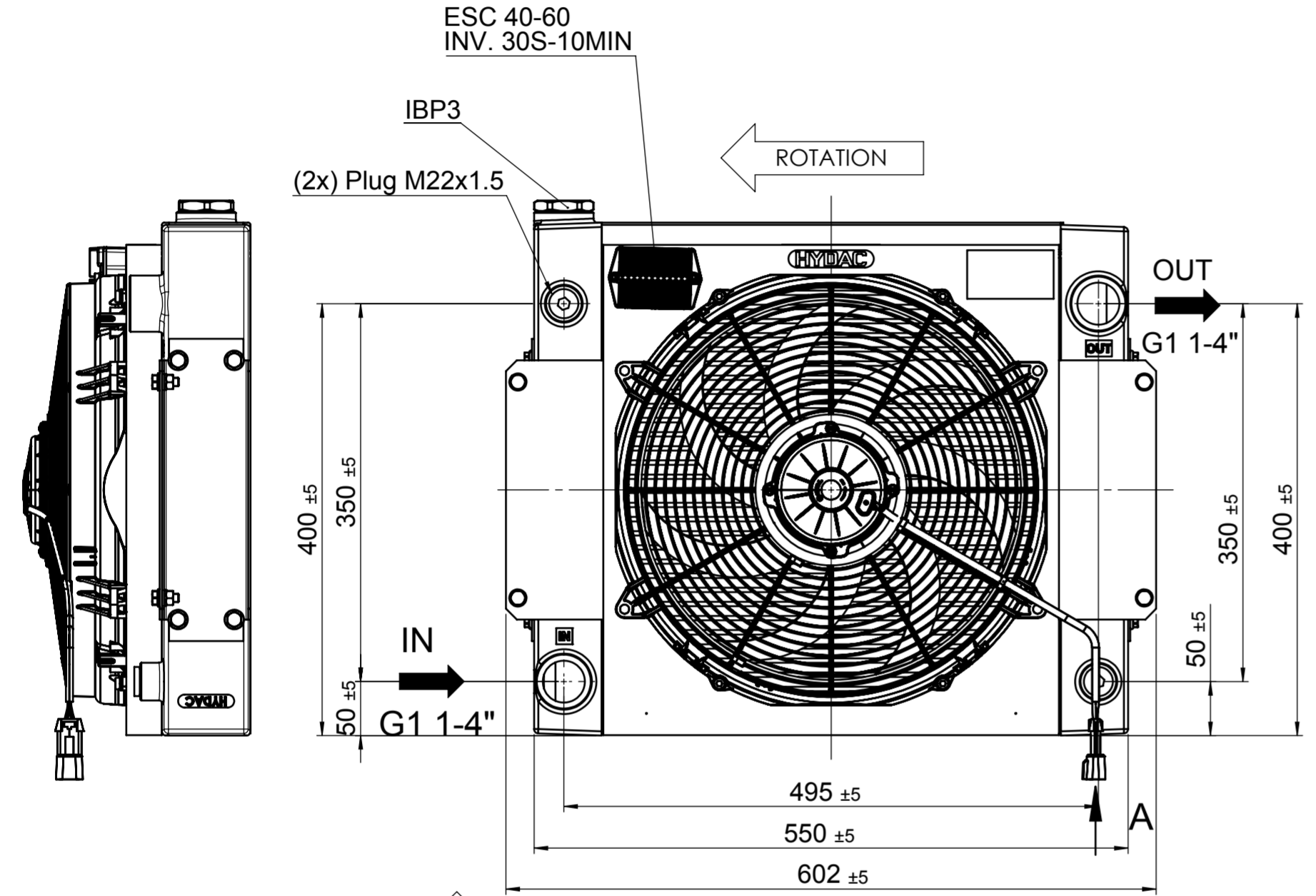
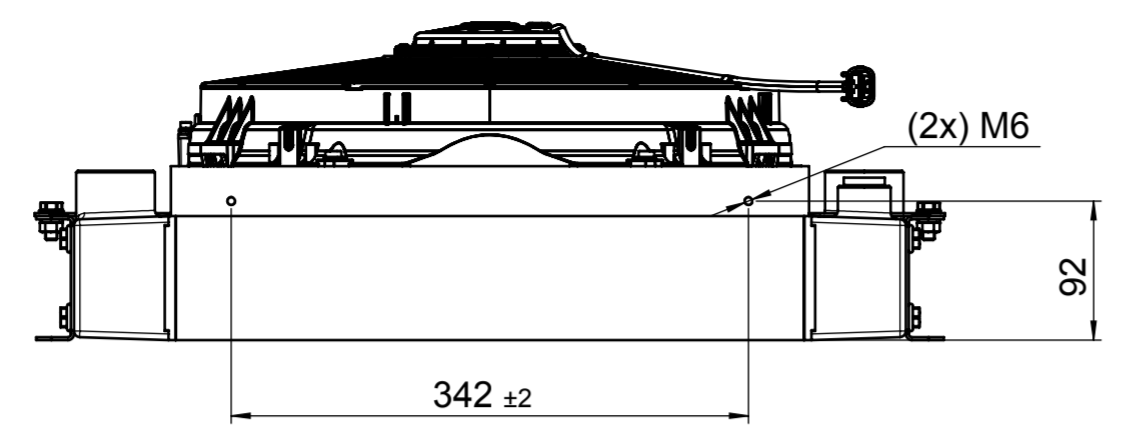


Vertraulich / confidential

IND.	Nr.	Description	Area
A		Replaced the e/fan 3851391 with 3221596.	

**Drawing For Approval**  
Please sign, date and return.

**Date:** \_\_\_\_\_ **Signature:** \_\_\_\_\_  
Please Note: Components are only ordered after we receive the signed drawing back at Hydac S.A all delivery dates will depend on the date of receipt



**NOTE:**  
FILLING VOLUME RADIATOR: 4 LITERS  
-Oil element, working pressure 16bar Max.  
- Electric fan connectors type: - Plastic connector (PKSL) - Delphi Metri-Pack Series 280

QTY	POS	DESCRIPTION	SAP PART NUMBER
	6	IBP2	3137865
	5	RADIATOR OK-ELD4.5/3.2/IBP/IBT (ALTERN.)	4082223
	4	RRW OK-ELD4.5/3.2/-/2/S1/-/GP	3951253
	3	ESC 40-60 INV.30S-10MIN	3587770
	2	PLUG M22X1,5 /WD	2506527
	1	E-FAN D385 VA33-BP71/LL-65A 24V PKSL*	3221596

HYDAC ADA Version		Spigoli Corners ISO13715		Color/Colore RAL9005		Tolleranze generali / General tolerances ISO 2768 - m		Toll. geometriche / classe di tolleranza Geometrical tolerances / Tolerance class	
								ISO 1302	
								Quote lineari / linear dimensions(mm)	
								Da / over A / to	
								Materiale / Material	
								Massa / Mass	
								22,000 KG	
A		03.09.2019		BALLAE		993674		Scale	
								Grandezza dimensione/Finished size	
No. Index		contr. il Chkd. on modif. il		controllato da Chkd. by modificato da Modif. by		Nr. modifica Notice of change No		Vers./Part 000	
								Data / Date	
								Nome / Name	
								Dis. / Drawn	
								Appr. / Chkd.	
								02.09.2019	
								BALLAE	
								MASSARA	
foglio di Sheet of 1 / 1		Descrizione / Description		Dis. Nr. Draw.-No		4472086			
Formato/Size A2		OK-ELD4.5H/3.2/24V/1/S/IBP/ESC40-60		Codice Business /Old Mat No.					
SW-Vers. 2018				Doc. Nr. / Old Doc No.					
				Sostituito con / Exchange for					
				Rimpiazzato da / Replaced by					

Protetto dalla normativa ISO16016 / Observing of protection notice ISO 16016