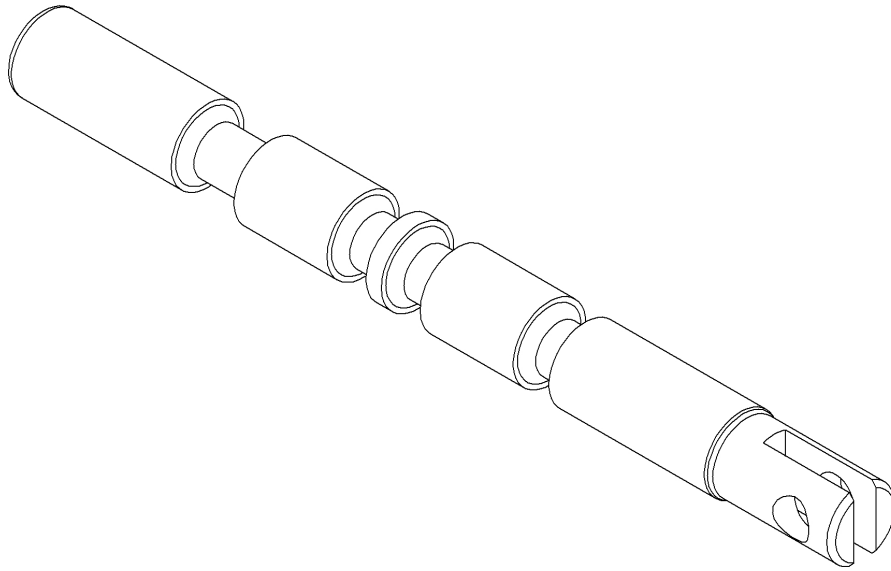
 <b>Spare part list</b>	<b>Valve type</b> RM 230	<b>Coordinat</b> BH
	<b>Created</b> 2019-12-27	

**1K**



**Part No**

2100-267917

**Description**

Spool, double acting, nominal flow 50 l/min

**Notes:**



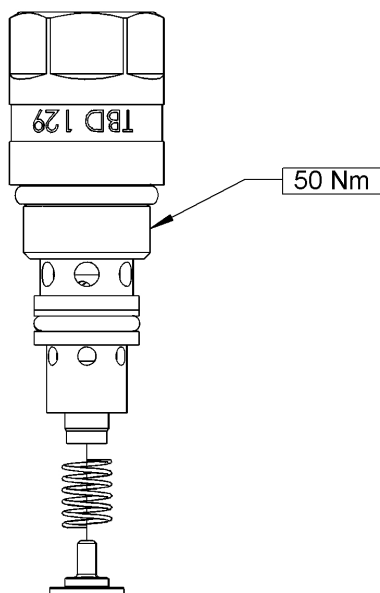
## Spare part list

Valve type RM 230

Coordinat BN00

Created 2019-12-27

## TBD129




**Part No**

2275-804076

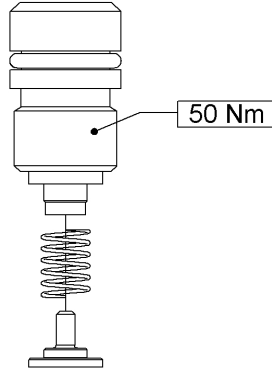
**Description**

Main relief valve with sealing washer

**Notes:**

 <b>Spare part list</b>	<b>Valve type</b> RM 230	<b>Coordinat</b> BN04
	<b>Created</b> 2019-12-27	

## MB23



**Part No**  
2250-263372

**Description**  
Check valve

**Notes:**



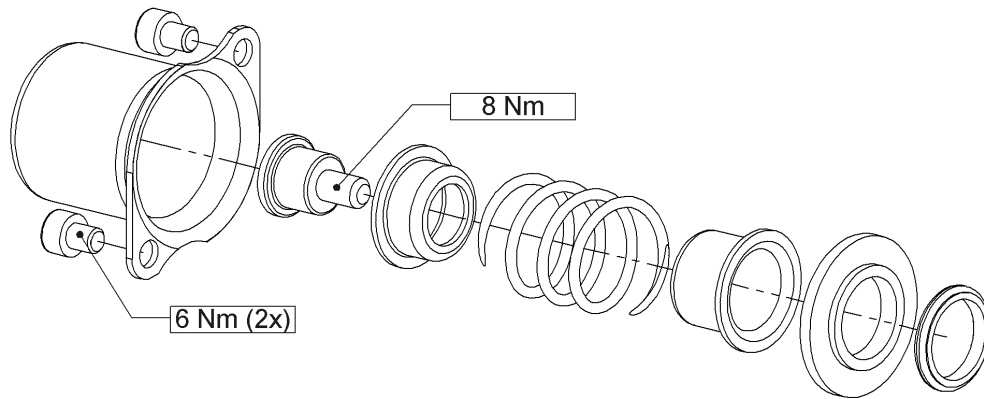
# Spare part list

Valve type RM 230

Coordinat DB

Created 2019-12-27

## 910



**Part No**

2160-260944

**Description**

Spool control, 3 pos, spring centered.

**Notes:**



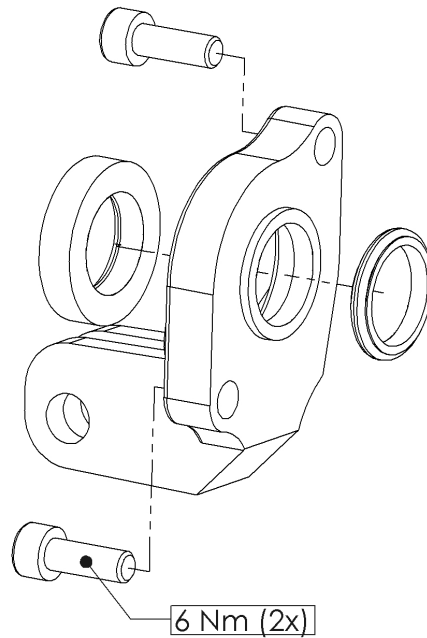
## Spare part list

Valve type RM 230

Coordinat DM

Created 2019-12-27

### M19




**Part No**

2190-266992

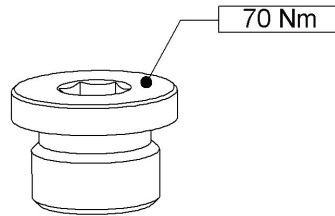
**Description**

Spool control, bracket for 3 pos spool, gear ratio 9:1

**Notes:**

 <b>Spare part list</b>	<b>Valve type</b> RM 230	<b>Coordinat</b> FF
	<b>Created</b> 2019-12-27	

## PG04



**Part No**

2310-450059

**Description**

Plug G 1/2", with O-ring seal

**Notes:**

