



DATA SHEET

Customer:	AMAB Hydraul AB
Ref.:	Johan Olsson
Order:	
Motor:	119512
Serial nr:	
Date:	2022-02-23

ASYNCHRONOUS MOTOR 4A3 132S-4

Nameplate data:

Code: 121162

Type:	4A3 132S-4			IP55	F/B	Amb. temp.: Max. 40°		
kW	Hz	V	A	Rpm	Cos	Eff.	Duty	IE.class
5,50	50	400D	10,7	1450	0,83	89,8%	S1	IE3
5,50	50	690 Y	6,2	1450	0,83	89,8%		
6,60	60	460 D	11,2	1740	0,83	89,8%		

Description:

Mounting form:	B5
Bearing DE:	6308-2Z/C3
Bearing NDE:	6308-2Z/C3
Weight - Kg.:	57,2
Heater:	No Heater
PTC:	PTC mounted
Kgm ² :	0,0214
Sound press.-db(A):	61,0

Other:

Test data S1-duty, Amb.temp 40°C:

Voltage - V:	400
Frequency - Hz:	50
Power - kW:	5,50
Full load speed - Rpm:	1450
Full load current - A:	10,70
Full load power factor - Cos:	0,83
Locked rotor current - A:	84,5
Locked rotor factor - A _{st} /A _n :	7,9

Efficiency 100% load - %:	89,8%
Efficiency 75% load - %:	90,2%
Efficiency 50% load - %:	89,1%
Full load torque - Nm:	36,2
Locked rotor torque - Nm:	79,7
Locked rotor torque - Nm _{st} /Nm _n :	2,2
Max. Pull out torque - Nm:	83,4
Max. Pull out torque. - Nm _{st} /Nm _n :	2,3

Over load/speed test	kW	Hz	V	A	Rpm
Over load 160% - 15sec.	8,80	50	400	17,12	1450
Over speed 125% - 2 min.	5,5	63	400	10,70	1813
H-Pot test voltage: 1800V			Temp. rise in stator:		

The motor is produced in accordance with following harmonized standards:

IEC60034-1, IEC60034-2, IEC60034-5, IEC60034-6, IEC60034-7, IEC60034-8, IEC60034-9
IEC60034-12, IEC60034-14, IEC60034-30, IEC60072.

Additional specifications in accordance with:

RINA - GL - LRS - BV - DNV - ABS - KR - RR - CCS - CCC - RMRS.

Bevi Group:

BEVI AB, Sweden
BEVI A/S, Denmark
BEVI Norge A/S, Norway
BEVI Finland OY AB, Finland
BEVI CHINA, China

www.bevi.se
www.bevi.dk
www.bevi.no
www.bevi.fi
www.bevi.cn

sales@bevi.se
bevi@bevi.dk
info@bevi.no
info@bevi.fi
sales@bevi.cn

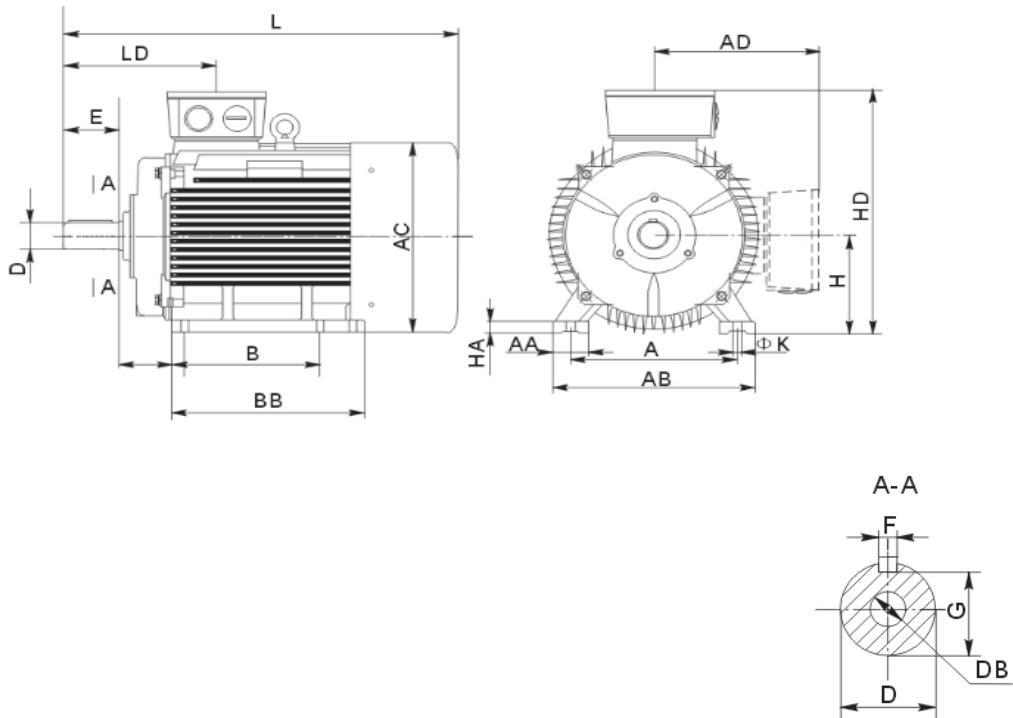
+46 499 271 00
+45 39 67 36 05
+47 22 07 66 50
+358 9 2709 1210
+86 21 5032 5200



DATA SHEET

Customer:	AMAB Hydraul AB
Ref.:	Johan Olsson
Order:	
Motor:	119512
Serial nr:	
Date:	2022-02-23

Foot mounted motor 4A3 132S-4 B3



A: 216	HD: 330	E: 80
B: 140	C: 89	D: 38
AB: 262	H: 132	G: 33
AC: 257	K: 12	DB: M12
AD: 198	L: 500	F: 10
LD: 179	L (V1): 550	

Bevi Group:

BEVI AB, Sweden
 BEVI A/S, Denmark
 BEVI Norge A/S, Norway
 BEVI Finland OY AB, Finland
 BEVI CHINA, China

www.bevi.se
www.bevi.dk
www.bevi.no
www.bevi.fi
www.bevi.cn

sales@bevi.se
bevi@bevi.dk
info@bevi.no
info@bevi.fi
sales@bevi.cn

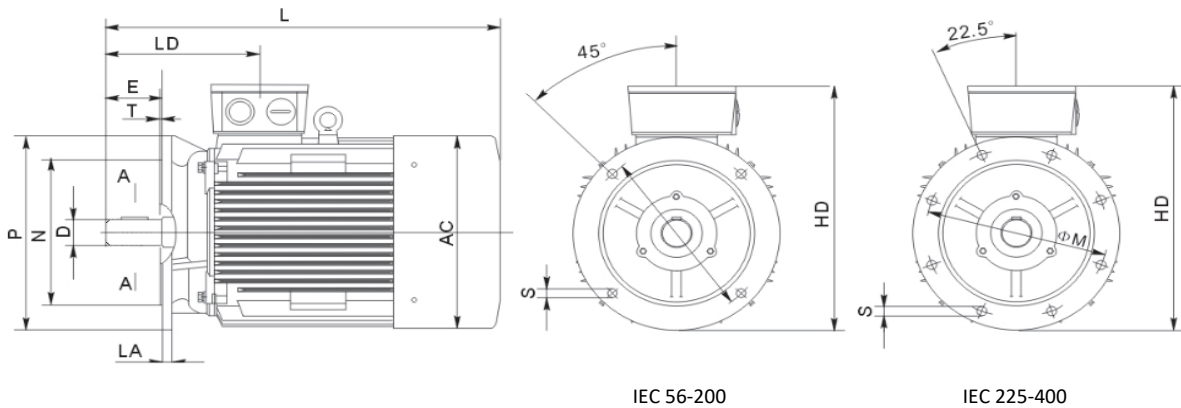
+46 499 271 00
 +45 39 67 36 05
 +47 22 07 66 50
 +358 9 2709 1210
 +86 21 5032 5200



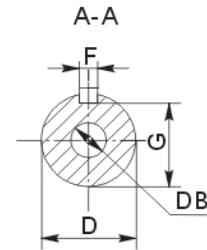
DATA SHEET

Customer:	AMAB Hydraul AB
Ref.:	Johan Olsson
Order:	
Motor:	119512
Serial nr:	
Date:	2022-02-23

Flange mounted motor 4A3 132S-4 B5



M: 265	HD: 330	E: 80
N: 230	L: 500	D: 38
P: 300	L (V1): 550	G: 33
S: 15	LD: 179	DB: M12
		F: 10



Bevi Group:

BEVI AB, Sweden
 BEVI A/S, Denmark
 BEVI Norge A/S, Norway
 BEVI Finland OY AB, Finland
 BEVI CHINA, China

www.bevi.se
www.bevi.dk
www.bevi.no
www.bevi.fi
www.bevi.cn

sales@bevi.se
bevi@bevi.dk
info@bevi.no
info@bevi.fi
sales@bevi.cn

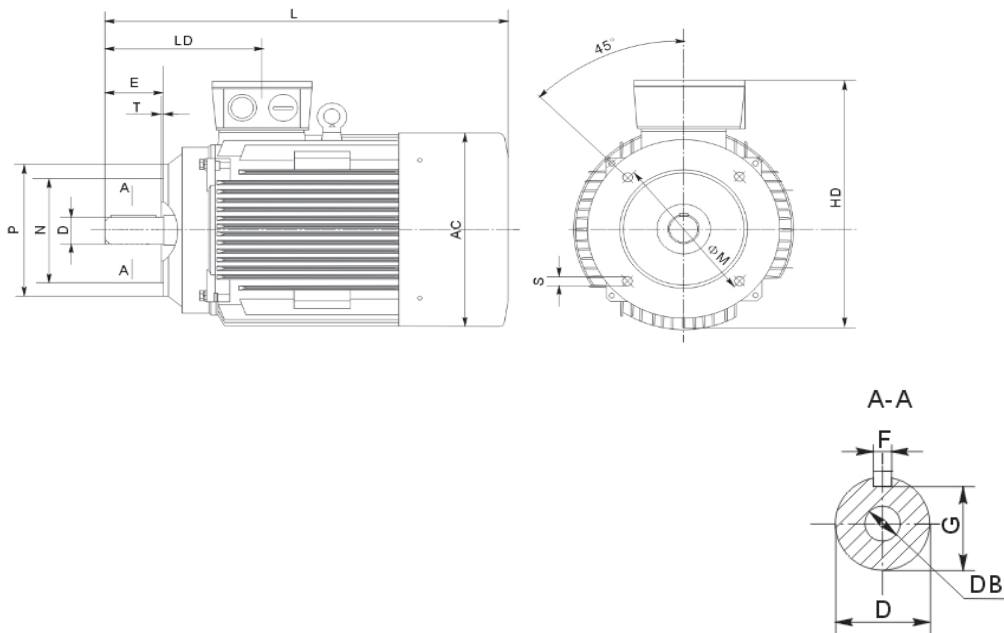
+46 499 271 00
 +45 39 67 36 05
 +47 22 07 66 50
 +358 9 2709 1210
 +86 21 5032 5200



DATA SHEET

Customer:	AMAB Hydraul AB
Ref.:	Johan Olsson
Order:	
Motor:	119512
Serial nr:	
Date:	2022-02-23

Flange mounted motor 4A3 132S-4 B14A + (B14B)



Flange type: B14A

M: 165
N: 130
P: 200
S: M10

B14B

215
180
250
M12

HD: 330
L: 500
L (V1): 550
LD: 179

E: 80
D: 38
G: 33
DB: M12
F: 10

Bevi Group:

BEVI AB, Sweden
BEVI A/S, Denmark
BEVI Norge A/S, Norway
BEVI Finland OY AB, Finland
BEVI CHINA, China

www.bevi.se
www.bevi.dk
www.bevi.no
www.bevi.fi
www.bevi.cn

sales@bevi.se
bevi@bevi.dk
info@bevi.no
info@bevi.fi
sales@bevi.cn

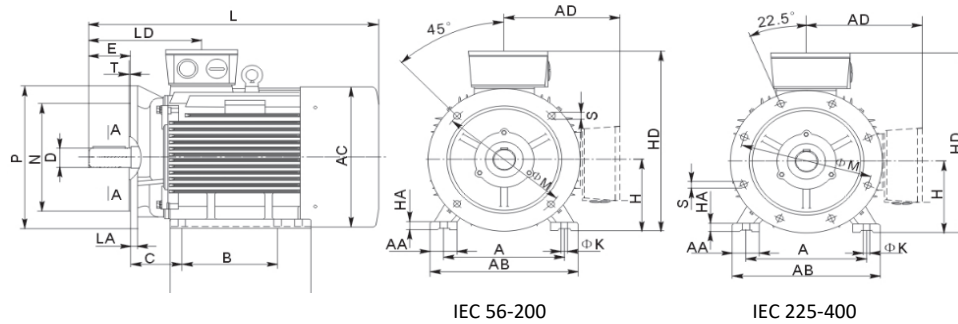
+46 499 271 00
+45 39 67 36 05
+47 22 07 66 50
+358 9 2709 1210
+86 21 5032 5200



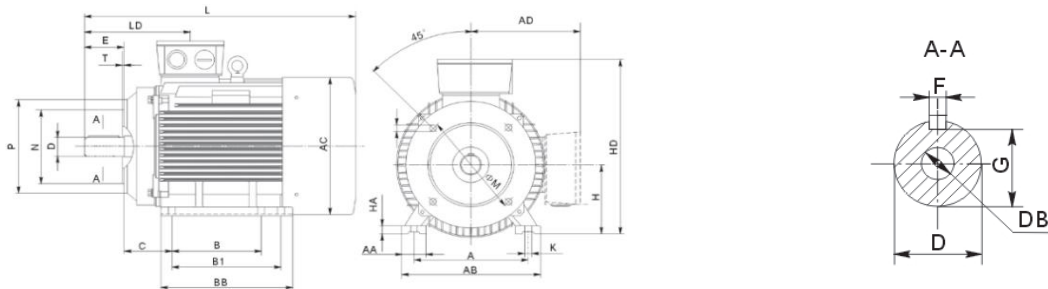
Customer:	AMAB Hydraul AB
Ref.:	Johan Olsson
Order:	
Motor:	119512
Serial nr:	
Date:	2022-02-23

DATA SHEET

Foot & flange mounted motor 4A3 132S-4 B3/B5



4A3 132S-4 B14A + (B14B)



Flange type: B5

M: 265
N: 230
P: 300
S: 15

A: 216
B: 140
AB: 262
AC: 257
AD: 198
LD: 179

B14A

M: 165
N: 130
P: 200
S: M10

HD: 330
C: 89
H: 132
K: 12
L: 500
L (V1): 550

(B14B)

M: 215
N: 180
P: 250
S: M12

E: 80
D: 38
G: 33
DB: M12
F: 10

Bevi Group:

BEVI AB, Sweden
BEVI A/S, Denmark
BEVI Norge A/S, Norway
BEVI Finland OY AB, Finland
BEVI CHINA, China

www.bevi.se
www.bevi.dk
www.bevi.no
www.bevi.fi
www.bevi.cn

sales@bevi.se
bevi@bevi.dk
info@bevi.no
info@bevi.fi
sales@bevi.cn

+46 499 271 00
+45 39 67 36 05
+47 22 07 66 50
+358 9 2709 1210
+86 21 5032 5200