



DATA SHEET

Customer:	AMAB Hydraul AB
Ref.:	Johan Olsson
Order:	
Motor:	121160
Serial nr:	
Date:	2022-02-23

ASYNCHRONOUS MOTOR 4A3 112M-4

Nameplate data:

Code: 121158

Type:	4A3 112M-4				IP55	F/B	Amb. temp.: Max. 40°		
kW	Hz	V	A	Rpm	Cos	Eff.	Duty	IE.class	
4,00	50	400D	7,90	1450	0,82	88,7%	S1	IE3	
4,00	50	690 Y	4,58	1450	0,82	88,7%			
4,80	60	460 D	8,24	1740	0,82	88,7%			

Description:

Mounting form:	B3/B5
Bearing DE:	6306-2Z/C3
Bearing NDE:	6306-2Z/C3
Weight - Kg.:	41
Heater:	No Heater
PTC:	PTC mounted
Kgm ² :	0,0095
Sound press.-db(A):	57,0

Other:

Test data S1-duty, Amb.temp 40°C:

Voltage - V:	400
Frequency - Hz:	50
Power - kW:	4,00
Full load speed - Rpm:	1450
Full load current - A:	7,90
Full load power factor - Cos:	0,82
Locked rotor current - A:	61,6
Locked rotor factor - A _{st} /A _n :	7,8

Efficiency 100% load - %:	88,7%
Efficiency 75% load - %:	89,4%
Efficiency 50% load - %:	87,9%
Full load torque - Nm:	26,4
Locked rotor torque - Nm:	58,0
Locked rotor torque - Nm _{st} /Nm _n :	2,2
Max. Pull out torque - Nm:	60,6
Max. Pull out torque. - Nm _{st} /Nm _n :	2,3

Over load/speed test	kW	Hz	V	A	Rpm
Over load 160% - 15sec.	6,40	50	400	12,64	1450
Over speed 125% - 2 min.	4	63	400	7,90	1813
H-Pot test voltage: 1800V			Temp. rise in stator:		

The motor is produced in accordance with following harmonized standards:

IEC60034-1, IEC60034-2, IEC60034-5, IEC60034-6, IEC60034-7, IEC60034-8, IEC60034-9
IEC60034-12, IEC60034-14, IEC60034-30, IEC60072.

Additional specifications in accordance with:

RINA - GL - LRS - BV - DNV - ABS - KR - RR - CCS - CCC - RMRS.

Bevi Group:

BEVI AB, Sweden
BEVI A/S, Denmark
BEVI Norge A/S, Norway
BEVI Finland OY AB, Finland
BEVI CHINA, China

www.bevi.se
www.bevi.dk
www.bevi.no
www.bevi.fi
www.bevi.cn

sales@bevi.se
bevi@bevi.dk
info@bevi.no
info@bevi.fi
sales@bevi.cn

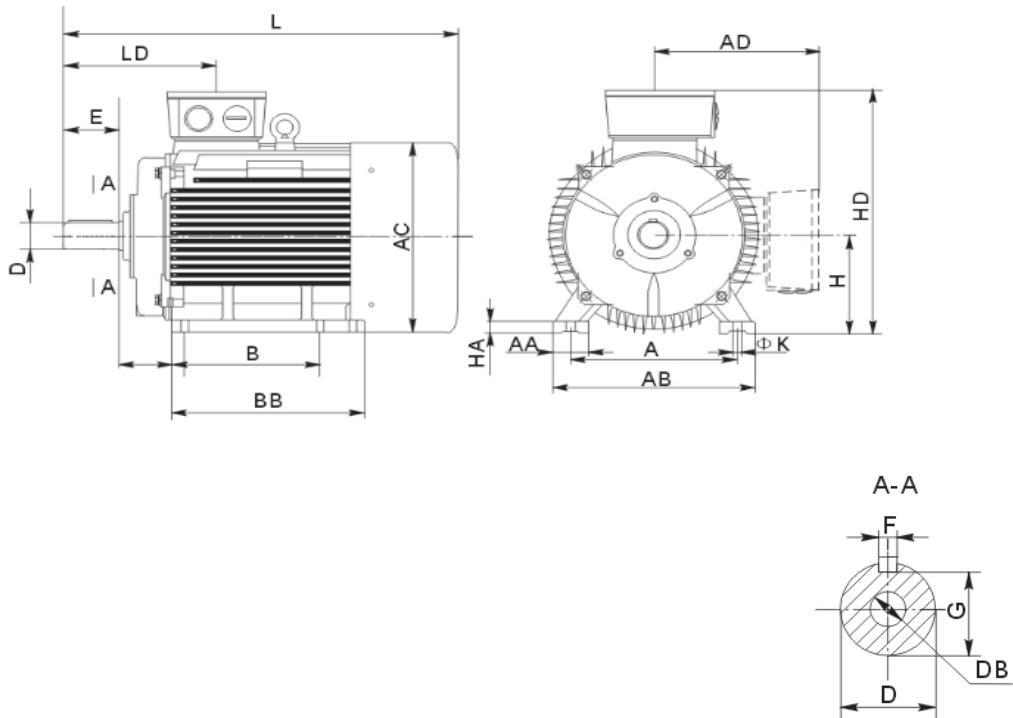
+46 499 271 00
+45 39 67 36 05
+47 22 07 66 50
+358 9 2709 1210
+86 21 5032 5200



DATA SHEET

Customer:	AMAB Hydraul AB
Ref.:	Johan Olsson
Order:	
Motor:	121160
Serial nr:	
Date:	2022-02-23

Foot mounted motor 4A3 112M-4 B3



A: 192	HD: 290	E: 60
B: 140	C: 70	D: 28
AB: 227	H: 112	G: 24
AC: 218	K: 12	DB: M10
AD: 178	L: 460	F: 8
LD: 147	L (V1): 510	

Bevi Group:

BEVI AB, Sweden
 BEVI A/S, Denmark
 BEVI Norge A/S, Norway
 BEVI Finland OY AB, Finland
 BEVI CHINA, China

www.bevi.se
www.bevi.dk
www.bevi.no
www.bevi.fi
www.bevi.cn

sales@bevi.se
bevi@bevi.dk
info@bevi.no
info@bevi.fi
sales@bevi.cn

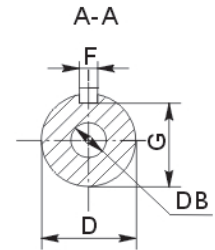
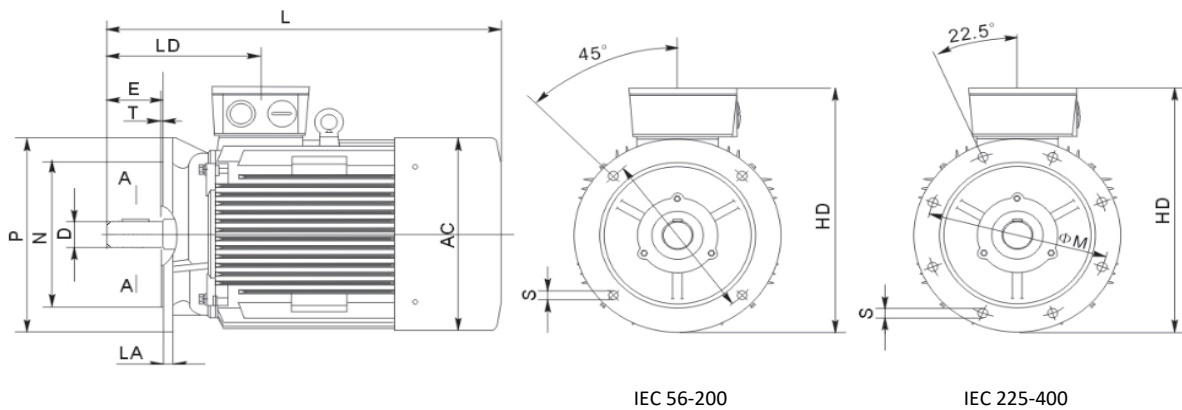
+46 499 271 00
 +45 39 67 36 05
 +47 22 07 66 50
 +358 9 2709 1210
 +86 21 5032 5200



DATA SHEET

Customer:	AMAB Hydraul AB
Ref.:	Johan Olsson
Order:	
Motor:	121160
Serial nr:	
Date:	2022-02-23

Flange mounted motor 4A3 112M-4 B5



M: 215	HD: 290	E: 60
N: 180	L: 460	D: 28
P: 250	L (V1): 510	G: 24
S: 15	LD: 147	DB: M10
		F: 8

Bevi Group:

BEVI AB, Sweden
 BEVI A/S, Denmark
 BEVI Norge A/S, Norway
 BEVI Finland OY AB, Finland
 BEVI CHINA, China

www.bevi.se
www.bevi.dk
www.bevi.no
www.bevi.fi
www.bevi.cn

sales@bevi.se
bevi@bevi.dk
info@bevi.no
info@bevi.fi
sales@bevi.cn

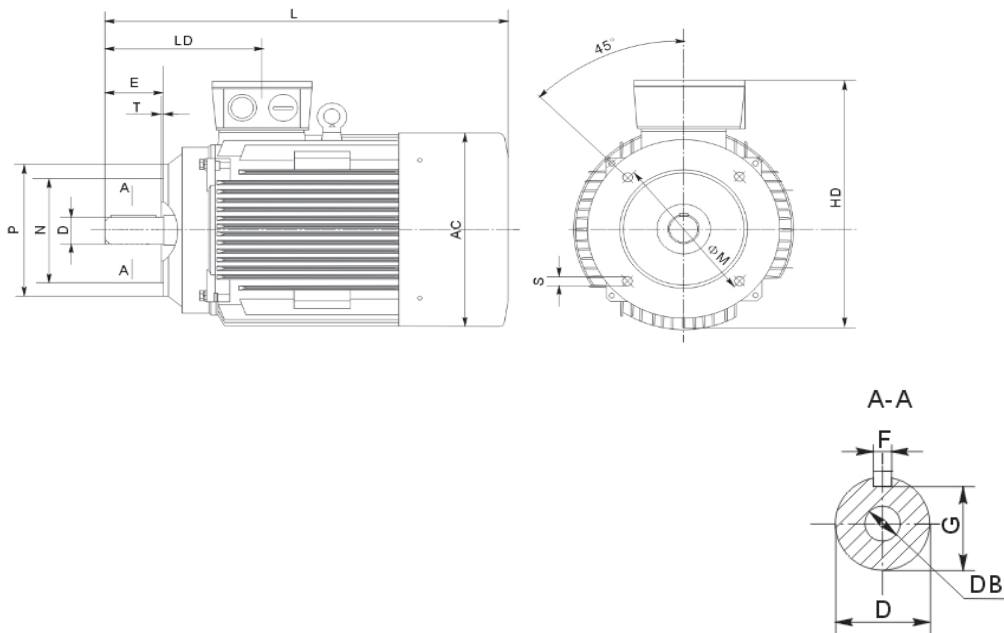
+46 499 271 00
 +45 39 67 36 05
 +47 22 07 66 50
 +358 9 2709 1210
 +86 21 5032 5200



DATA SHEET

Customer:	AMAB Hydraul AB
Ref.:	Johan Olsson
Order:	
Motor:	121160
Serial nr:	
Date:	2022-02-23

Flange mounted motor 4A3 112M-4 B14A + (B14B)



Flange type: B14A

M: 130
N: 110
P: 160
S: M8

B14B

165
130
200
M10

HD: 290
L: 460
L (V1): 510
LD: 147

E: 60
D: 28
G: 24
DB: M10
F: 8

Bevi Group:

BEVI AB, Sweden
BEVI A/S, Denmark
BEVI Norge A/S, Norway
BEVI Finland OY AB, Finland
BEVI CHINA, China

www.bevi.se
www.bevi.dk
www.bevi.no
www.bevi.fi
www.bevi.cn

sales@bevi.se
bevi@bevi.dk
info@bevi.no
info@bevi.fi
sales@bevi.cn

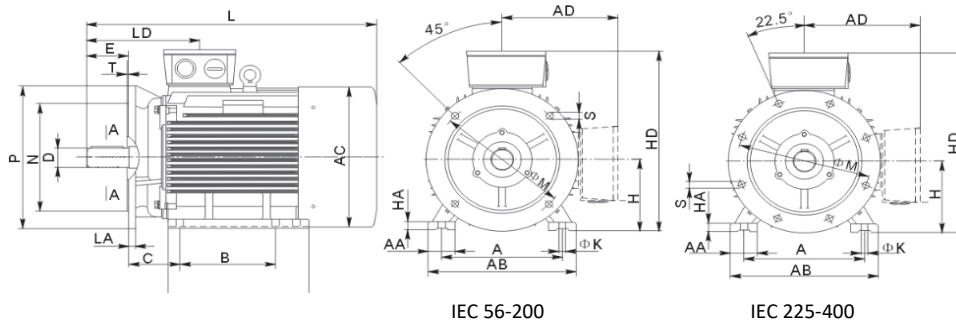
+46 499 271 00
+45 39 67 36 05
+47 22 07 66 50
+358 9 2709 1210
+86 21 5032 5200



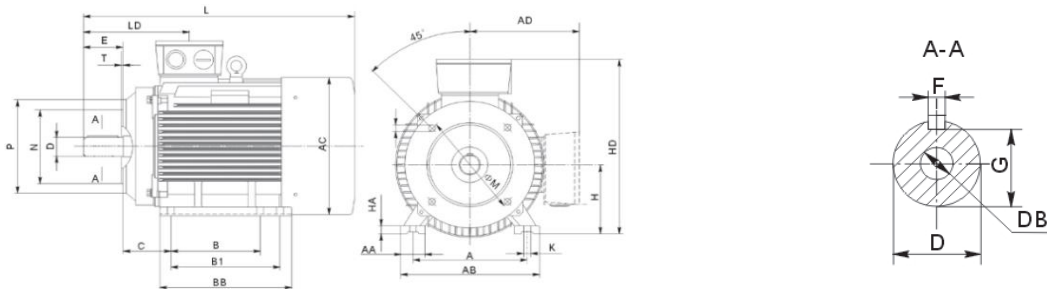
Customer:	AMAB Hydraul AB
Ref.:	Johan Olsson
Order:	
Motor:	121160
Serial nr:	
Date:	2022-02-23

DATA SHEET

Foot & flange mounted motor 4A3 112M-4 B3/B5



4A3 112M-4 B14A + (B14B)



Flange type: B5	B14A	(B14B)
M: 215	M: 130	M: 165
N: 180	N: 110	N: 130
P: 250	P: 160	P: 200
S: 15	S: M8	S: M10
A: 192	HD: 290	E: 60
B: 140	C: 70	D: 28
AB: 227	H: 112	G: 24
AC: 218	K: 12	DB: M10
AD: 178	L: 460	F: 8
LD: 147	L (V1): 510	

Bevi Group:

BEVI AB, Sweden
 BEVI A/S, Denmark
 BEVI Norge A/S, Norway
 BEVI Finland OY AB, Finland
 BEVI CHINA, China

www.bevi.se
 www.bevi.dk
 www.bevi.no
 www.bevi.fi
 www.bevi.cn

sales@bevi.se
 bevi@bevi.dk
 info@bevi.no
 info@bevi.fi
 sales@bevi.cn

+46 499 271 00
 +45 39 67 36 05
 +47 22 07 66 50
 +358 9 2709 1210
 +86 21 5032 5200