



DATA SHEET

Customer:	AMAB Hydraul AB
Ref.:	Johan Olsson
Order:	
Motor:	121915
Serial nr:	
Date:	2022-02-23

ASYNCHRONOUS MOTOR 4A2 100L2-4

Nameplate data:

Code: 115983

Type:	4A2 100L2-4				IP55	F/B	Amb. temp.: Max. 40°		
kW	Hz	V	A	Rpm	Cos	Eff.	Duty	IE.class	
3,00	50	230D	10,8	1450	0,81	85,5%	S1	IE2	
3,00	50	400 Y	6,2	1450	0,81	85,5%			
3,60	60	460 Y	6,5	1740	0,81	85,5%			

Description:

Mounting form:	B3/B5
Bearing DE:	6206-2Z/C3
Bearing NDE:	6206-2Z/C3
Weight - Kg.:	29,9
Heater:	No Heater
PTC:	No PTC
Kgm ² :	0,0067
Sound press.-db(A):	53,0

Other:

Test data S1-duty, Amb.temp 40°C:

Voltage - V:	400
Frequency - Hz:	50
Power - kW:	3,00
Full load speed - Rpm:	1450
Full load current - A:	6,20
Full load power factor - Cos:	0,81
Locked rotor current - A:	45,9
Locked rotor factor - A_{st}/A_n :	7,4

Efficiency 100% load - %:	85,5%
Efficiency 75% load - %:	86,6%
Efficiency 50% load - %:	85,3%
Full load torque - Nm:	19,8
Locked rotor torque - Nm:	45,5
Locked rotor torque - Nm_{st}/Nm_n :	2,3
Max. Pull out torque - Nm:	45,5
Max. Pull out torque. - Nm_{st}/Nm_n :	2,3

Over load/speed test	kW	Hz	V	A	Rpm
Over load 160% - 15sec.	4,80	50	400	9,92	1450
Over speed 125% - 2 min.	3	63	400	6,20	1813
H-Pot test voltage: 1800V			Temp. rise in stator:		

The motor is produced in accordance with following harmonized standards:

IEC60034-1, IEC60034-2, IEC60034-5, IEC60034-6, IEC60034-7, IEC60034-8, IEC60034-9
IEC60034-12, IEC60034-14, IEC60034-30, IEC60072.

Additional specifications in accordance with:

RINA - GL - LRS - BV - DNV - ABS - KR - RR - CCS - CCC - RMRS.

Bevi Group:

BEVI AB, Sweden
BEVI A/S, Denmark
BEVI Norge A/S, Norway
BEVI Finland OY AB, Finland
BEVI CHINA, China

www.bevi.se
www.bevi.dk
www.bevi.no
www.bevi.fi
www.bevi.cn

sales@bevi.se
bevi@bevi.dk
info@bevi.no
info@bevi.fi
sales@bevi.cn

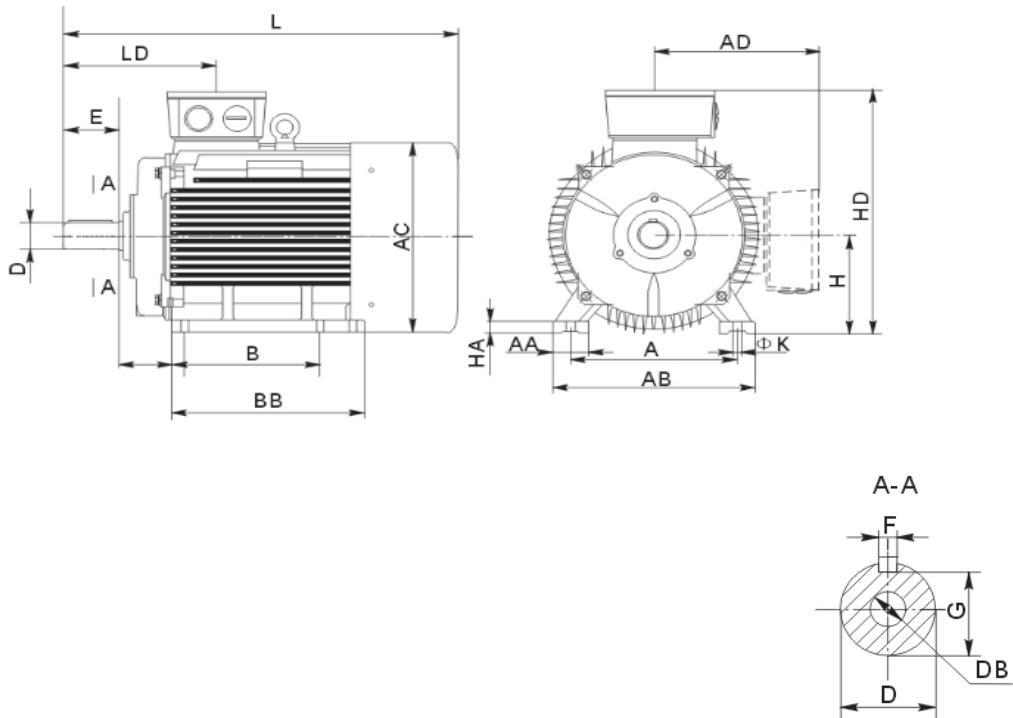
+46 499 271 00
+45 39 67 36 05
+47 22 07 66 50
+358 9 2709 1210
+86 21 5032 5200



DATA SHEET

Customer:	AMAB Hydraul AB
Ref.:	Johan Olsson
Order:	
Motor:	121915
Serial nr:	
Date:	2022-02-23

Foot mounted motor 4A2 100L2-4 B3



A: 160	HD: 266	E: 60
B: 140	C: 63	D: 28
AB: 196	H: 100	G: 24
AC: 205	K: 12	DB: M10
AD: 168	L: 405	F: 8
LD: 143	L (V1): 455	

Bevi Group:

BEVI AB, Sweden
 BEVI A/S, Denmark
 BEVI Norge A/S, Norway
 BEVI Finland OY AB, Finland
 BEVI CHINA, China

www.bevi.se
www.bevi.dk
www.bevi.no
www.bevi.fi
www.bevi.cn

sales@bevi.se
bevi@bevi.dk
info@bevi.no
info@bevi.fi
sales@bevi.cn

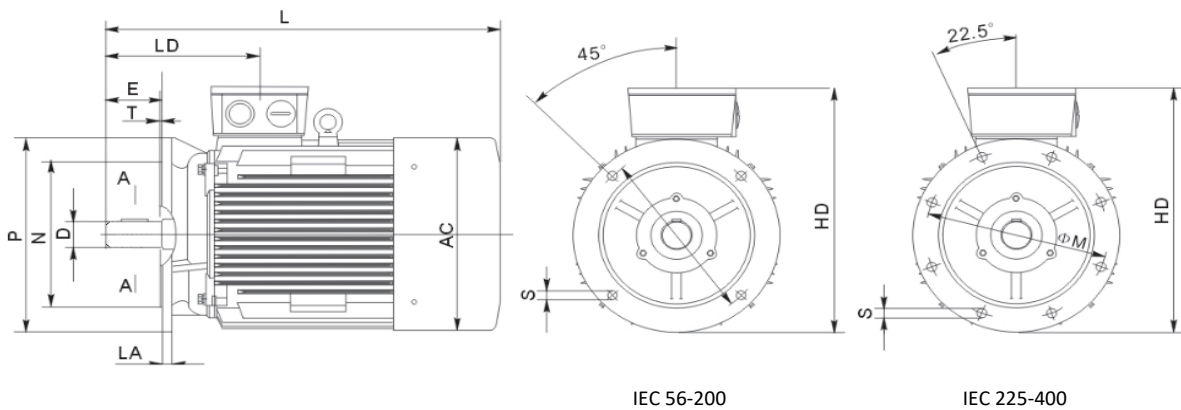
+46 499 271 00
 +45 39 67 36 05
 +47 22 07 66 50
 +358 9 2709 1210
 +86 21 5032 5200



DATA SHEET

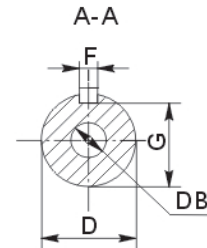
Customer:	AMAB Hydraul AB
Ref.:	Johan Olsson
Order:	
Motor:	121915
Serial nr:	
Date:	2022-02-23

Flange mounted motor 4A2 100L2-4 B5



IEC 56-200

IEC 225-400



M: 215	HD: 266	E: 60
N: 180	L: 405	D: 28
P: 250	L (V1): 455	G: 24
S: 15	LD: 143	DB: M10
		F: 8

Bevi Group:

BEVI AB, Sweden
 BEVI A/S, Denmark
 BEVI Norge A/S, Norway
 BEVI Finland OY AB, Finland
 BEVI CHINA, China

www.bevi.se
www.bevi.dk
www.bevi.no
www.bevi.fi
www.bevi.cn

sales@bevi.se
bevi@bevi.dk
info@bevi.no
info@bevi.fi
sales@bevi.cn

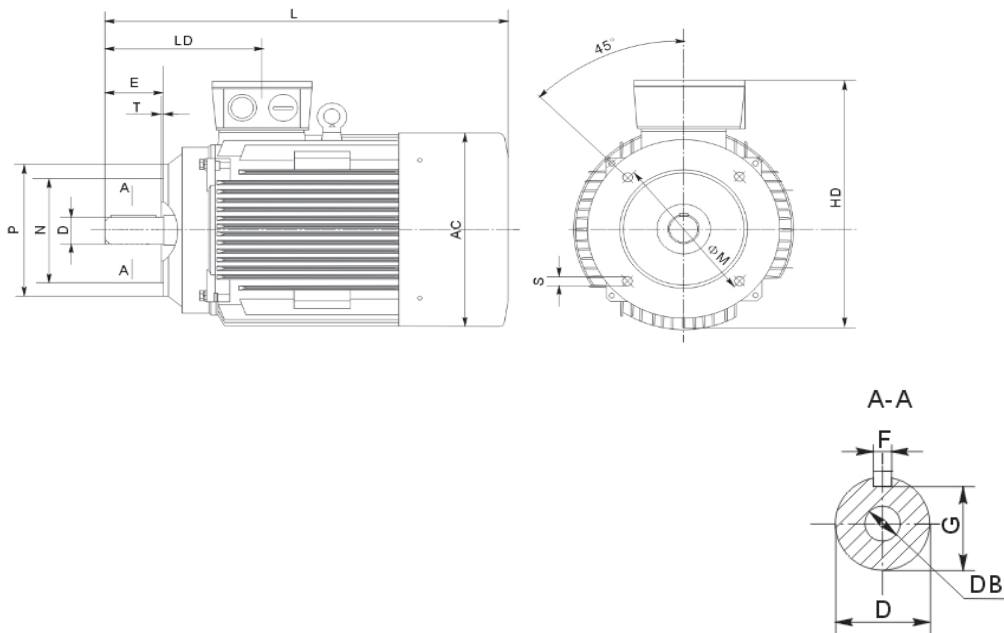
+46 499 271 00
 +45 39 67 36 05
 +47 22 07 66 50
 +358 9 2709 1210
 +86 21 5032 5200



DATA SHEET

Customer:	AMAB Hydraul AB
Ref.:	Johan Olsson
Order:	
Motor:	121915
Serial nr:	
Date:	2022-02-23

Flange mounted motor 4A2 100L2-4 B14A + (B14B)



Flange type: B14A

M: 130
N: 110
P: 160
S: M8

B14B

165
130
200
M10

HD: 266
L: 405
L (V1): 455
LD: 143

E: 60
D: 28
G: 24
DB: M10
F: 8

Bevi Group:

BEVI AB, Sweden
BEVI A/S, Denmark
BEVI Norge A/S, Norway
BEVI Finland OY AB, Finland
BEVI CHINA, China

www.bevi.se
www.bevi.dk
www.bevi.no
www.bevi.fi
www.bevi.cn

sales@bevi.se
bevi@bevi.dk
info@bevi.no
info@bevi.fi
sales@bevi.cn

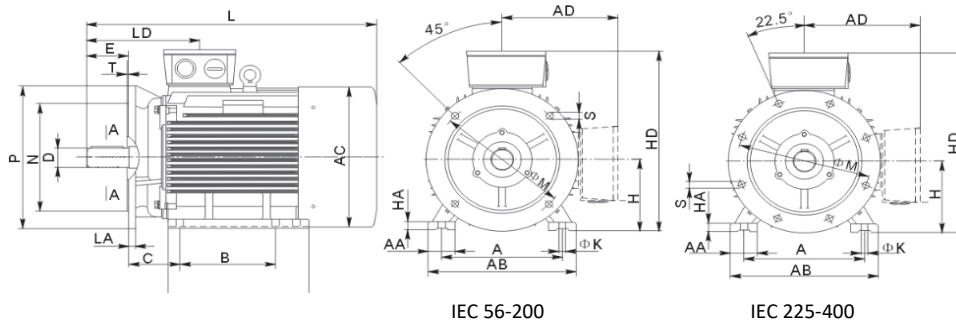
+46 499 271 00
+45 39 67 36 05
+47 22 07 66 50
+358 9 2709 1210
+86 21 5032 5200



Customer:	AMAB Hydraul AB
Ref.:	Johan Olsson
Order:	
Motor:	121915
Serial nr:	
Date:	2022-02-23

DATA SHEET

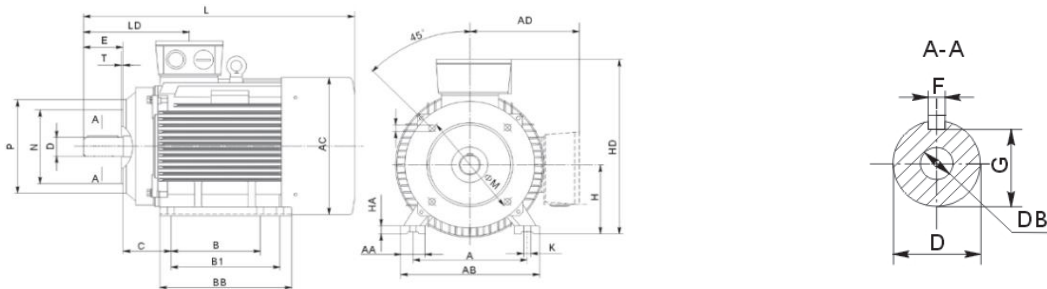
Foot & flange mounted motor 4A2 100L2-4 B3/B5



IEC 56-200

IEC 225-400

4A2 100L2-4 B14A + (B14B)



Flange type: B5

M: 215
N: 180
P: 250
S: 15

A: 160
B: 140
AB: 196
AC: 205
AD: 168
LD: 143

B14A

M: 130
N: 110
P: 160
S: M8

HD: 266
C: 63
H: 100
K: 12
L: 405
L (V1): 455

(B14B)

M: 165
N: 130
P: 200
S: M10

E: 60
D: 28
G: 24
DB: M10
F: 8

Bevi Group:

BEVI AB, Sweden
BEVI A/S, Denmark
BEVI Norge A/S, Norway
BEVI Finland OY AB, Finland
BEVI CHINA, China

www.bevi.se
www.bevi.dk
www.bevi.no
www.bevi.fi
www.bevi.cn

sales@bevi.se
bevi@bevi.dk
info@bevi.no
info@bevi.fi
sales@bevi.cn

+46 499 271 00
+45 39 67 36 05
+47 22 07 66 50
+358 9 2709 1210
+86 21 5032 5200