

## DIRECTIONAL CONTROL VALVES CETOP 3/NG6

### INTRODUCTION

The directional control valves NG6 are designed for subplate mounting with an interface in accordance with UNI ISO 4401 - 03 - 02 - 0 - 94 standard (ex CETOP R 35 H 4.2-4-03), and can be used in all fields on account of their high flow rate and pressure capacities combined with compact overall dimensions.

The use of solenoids with wet armatures allows a very practical, safe construction completely dispensing with dynamic seals; the solenoid tube is screwed directly onto the valve chest whilst the coil is kept in position by means of a lock nut.

The special, precise construction of the ports and the improvement of the spools enables relatively high flow rates to be accommodated with a minimal pressure drop ( $\Delta p$ ). The operation of the directional valves may be electrical, pneumatic, oleodynamic, mechanical or lever.

The centre position is obtained by means of calibrated length springs which reposition the spool in the centre or end of travel position once the action of the impulse is over.

The solenoids are constructed with a protection class of IP66 to DIN 40050 standards and are available in either AC or DC form in different voltage and frequencies.

The new type DC coil "D15", of cause their high performance, allows to increasing the limits of use respect to last series.

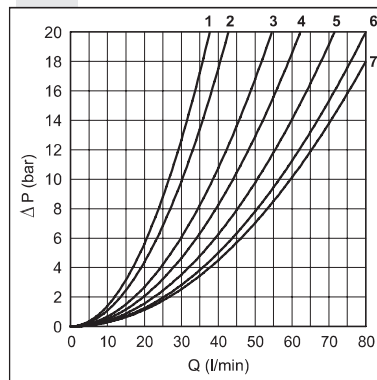
All types of electrical control are available, on request, with different types of manual emergency controls.

The solenoid coils are normally arranged for DIN 43650 ISO 4400 type connectors; is available on request these variant coils: with AMP Junior connections, with AMP junior and integrated diode, with Deutsch DT04-2P connections or solenoid with flying leads. Connectors with built in rectifiers or pilot lights are also available.

The valves are designed for use with DIN 51524 standard hydraulic mineral oils and it is recommended that filters should be fitted to ensure a maximum contamination level of class 10 in accordance with NAS 1638,  $\beta_{25} \geq 75$ .

CETOP 3/NG06	
STANDARD SPOOLS	CAP. I • 10
AD3E...	CAP. I • 11
AD3E...J*	CAP. I • 12
AD3E...KJ	CAP. I • 13
AD3V...	CAP. I • 14
AD3L...	CAP. I • 15
OTHER OPERATOR	CAP. I • 16
AD3P...	CAP. I • 17
AD3O...	CAP. I • 17
AD3M...	CAP. I • 18
AD3D...	CAP. I • 18
"D15" DC COILS	CAP. I • 19
"B14" AC SOLENOIDS	CAP. I • 19
STANDARD CONNECTORS	CAP. I • 20
"LE" VARIANTS	CAP. I • 21
L.V.D.T.	CAP. I • 22

### PRESSURE DROPS



The diagram at the side shows the pressure drop curves for spools during normal usage. The fluid used is a mineral oil with a viscosity of 46 mm<sup>2</sup>/s at 40°C; the tests have been carried out at a fluid temperature of 40°C. For higher flow rates than those in the diagram, the losses will be those expressed by the following formula:

$$\Delta p1 = \Delta p \times (Q1/Q)^2$$

where  $\Delta p$  will be the value for the losses for a specific flow rate Q which can be obtained from the diagram,  $\Delta p1$  will be the value of the losses for the flow rate Q1 that is used.

Spool type	Connections				
	P→A	P→B	A→T	B→T	P→T
01	5	5	5	5	
02	7	7	7	7	6
03	5	5	6	6	
04	2	2	2	2	4
44	1	1	2	2	3
05	7	7	5	5	
06	5	5	7	5	
66	5	5	5	7	
07		2	6		
08	6	6			
09		5		5	

Curve No.

Spool type	Connections				
	P→A	P→B	A→T	B→T	P→T
10	5	5	5	5	
11	5			5	
22		5	5		
12		5		6	
13		5	6	6	
14	4	3	3	3	4
28	3	4	3	3	4
15-19*	5	5	6	6	
16	5	5	4	4	
17-21*	3	4			
20*	4	4	4	4	

Curve No.

(\*) Value with energized solenoid

# DIRECTIONAL CONTROL VALVES CETOP 3/NG6

## ORDERING CODE

<b>AD</b>	Directional valve
<b>3</b>	CETOP 3/NG6
<b>E</b>	Type of operator For other operator see next pages
<b>**</b>	Spool see page Cap. I • 10
<b>*</b>	Mounting type (table 1)
<b>*</b>	Voltage (table 2)
<b>**</b>	Variants (table 3)
<b>*</b>	Serial No.
	<b>3</b> = Standard
	<b>4</b> = Only for RS - R6 - KJ - 7J variants

## TAB.2 - VOLTAGE

AC SOLENOID B14 **	
<b>A</b>	24V/50-60 Hz
<b>B</b>	48V/50-60 Hz
<b>J</b>	115V/50Hz - 120V/60Hz
<b>Y</b>	230V/50Hz - 240V/60Hz
<b>K</b>	AC without coils
Other voltages available on request.	
DC COIL D15 (30W) **	
<b>L</b>	12V
<b>M</b>	24V
<b>V</b>	28V*
<b>N</b>	48V*
<b>Z</b>	102V*
<b>P</b>	110V*
<b>X</b>	205V*
<b>W</b>	DC without coils

115Vac/50Hz  
120Vac/60Hz  
with rectifier

230Vac/50Hz  
240Vac/60Hz  
with rectifier

Voltage codes are not stamped on the plate, their are readable on the coils.

- AMP Junior coils (with or without diode) and coils with flying leads and coils type Deutsch, are available in 12V or 24V DC voltage only.
- The coil with eCoat protection (RS variant) is available in 12V, 24V, 28V or 110V DC voltage only.
- \* Special voltage
- \*\* Technical data see page Cap. I • 19

## TAB.1- MOUNTING

STANDARD	
<b>C</b>	
<b>D</b>	
<b>E</b>	
<b>F</b>	
SPECIALS (WITH PRICE INCREASING)	
<b>G</b>	
<b>H</b>	
<b>I</b>	
<b>L</b>	
<b>M</b>	

- **Mounting type D** is only for valves with detent
- In case of **mounting D** with detent a maximum supply time of 2 sec is needed (only for AC coils).

## TAB.3 - VARIANTS

VARIANT	CODE	PAGE
No variant (without connectors)	S1(*)	
Viton	SV (*)	
Emergency control lever for directional control valves type ADC3 and AD3E	LE-LF-AX-CE(*)	Cap. I • 21
Emergency button	ES(*)	Cap. I • 19
Rotary emergency button	P2(*)	Cap. I • 19
Rotary emergency button (180°)	R5(*)	Cap. I • 19
Preset for microswitch (E/F/G/H mounting only) (see below note ◊)	M1(*)	Cap. I • 11 - Cap. I • 15
5 micron clearance	SQ(*)	
Spool movement speed control (only VDC) with ø 0,3 mm orifice	3S(*)	Cap. I • 12
Spool movement speed control (only VDC) with ø 0,4 mm orifice	JS(*)	Cap. I • 12
Spool movement speed control (only VDC) with ø 0,5 mm orifice	5S(*)	Cap. I • 12
Spool movement speed control (only VDC) with ø 0,6 mm orifice	6S(*)	Cap. I • 12
AMP Junior coil - for 12V or 24V DC voltage only	AJ(*)	Cap. I • 19
AMP Junior coil and integrated diode - for 12V or 24V DC voltage only	AD(*)	Cap. I • 19
Coil with flying leads (175 mm) - for 12V or 24V DC voltage only	SL	Cap. I • 19
Hirschmann coil eCoat surface treatment - for 12V, 24V, 28V or 110V DC voltage only	RS(*)	Cap. I • 19
Deutsch DT04-2P connection eCoat surface treatment - for 12V, 24V DC voltage only	R6	Cap. I • 19
High corrosion resistance valve - Hirschmann connector	KJ	Cap. I • 13
High corrosion resistance valve - Deutsch DT04-2P connector - for 12V, 24V DC voltage only	7J	Cap. I • 13
Deutsch DT04-2P coil - for 12V or 24V DC voltage only	CZ	Cap. I • 19
Other variants available on request.		
◊ = Maximum counter-pressure on T port: 8 bar - Microswitch type MK code 1319098 must be ordered separately.		
◆ = Variant codes stamped on the plate		

(\*) Coils with Hirschmann and AMP Junior connection supplied without connectors. The connectors can be ordered separately, Cap. I • 20.

**TWO SOLENOIDS, SPRING CENTRED “C” MOUNTING**

Spool type		Covering	Transient position
01		+	
02		-	
03		+	
04*		-	
44*		-	
05		+	
66		+	
06		+	
07*		+	
08*		+	
09*		+	
10*		+	
22*		+	
11*		+	
12*		+	
13*		+	
14*		-	
28*		-	

**ONE SOLENOID, SIDE A “E” MOUNTING**

Spool type		Covering	Transient position
01		+	
02		-	
03		+	
04*		-	
44*		-	
05		+	
66		+	
06		+	
08*		+	
10*		+	
12*		+	
15		-	
16		+	
17		+	
14*		-	
28*		-	

**DIRECTIONAL CONTROL VALVES  
STANDARD SPOOLS CETOP 3/NG6**

**NOTE**

(\*) Spool with price increasing

• With spools 15 / 16 / 17 only mounting E / F are possible

• 16 / 19 / 20 / 21 spool not planned for AD3E...J\*

• For lever operated the spools used are different.  
Available spools for this kind of valve see AD3L..

**ONE SOLENOID, SIDE B “F” MOUNTING**

Spool type		Covering	Transient position
01		+	
02		-	
03		+	
04*		-	
44*		-	
05		+	
66		+	
06		+	
08*		+	
09*		+	
10*		+	
22*		+	
12*		+	
13*		+	
07*		+	
15		-	
16		+	
17		+	
14*		-	
28*		-	

**TWO SOLENOIDS “D” MOUNTING**

Spool type		Covering	Transient position
19*		-	
20*		+	
21*		+	

# AD3E... DIRECTIONAL CONTROL VALVES SOLENOID OPERATED CETOP 3/NG6

1



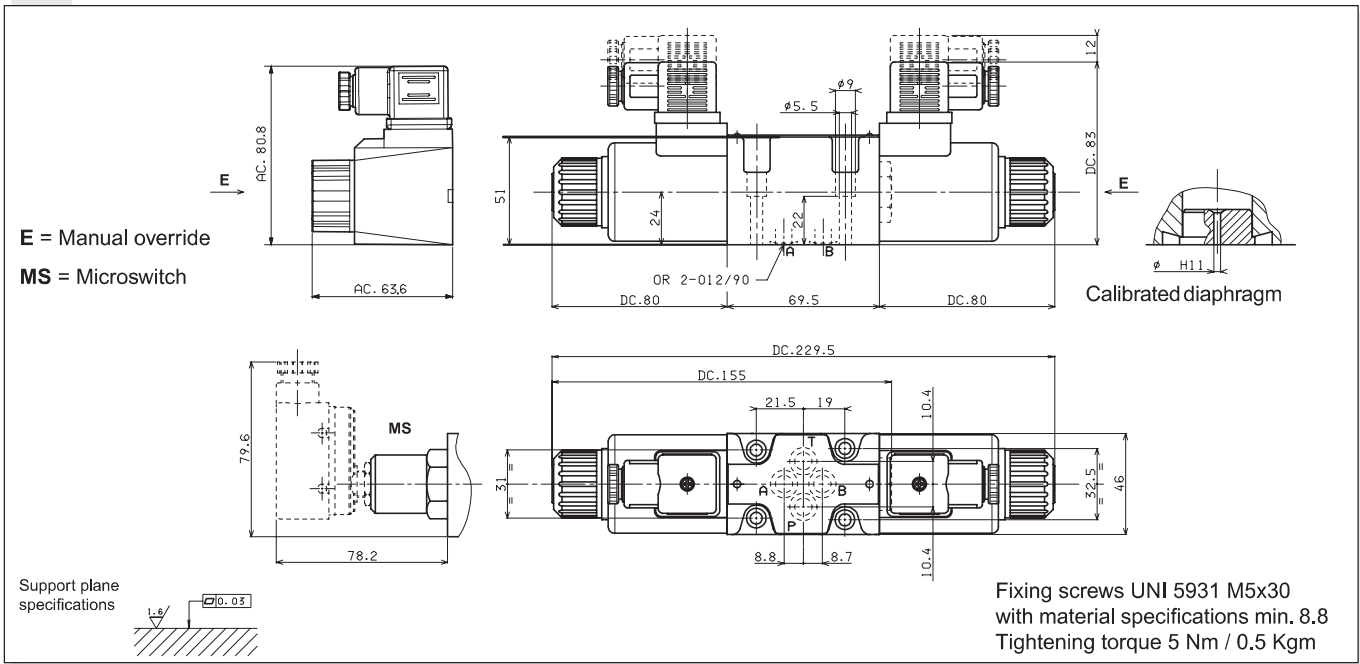
Amax. counter-pressure of 8 bar at T is permitted for the variant with a microswitch (M1).  
 (1) Dynamic pressure allowed on P for 1 million of cycles.  
 (2) DC: Dynamic pressure allowed for 2 millions of cycles.  
 AC: Dynamic pressure allowed for 350.000 of cycles.  
 For dynamic pressure of 100 bar are allowed 1 milion cycles.

Max. pressure port P/A/B (1)	350 bar
Max. pressure port T (for DC) (2)	250 bar
Max. pressure port T (for AC) (2)	160 bar
Max. flow	80 l/min
Max. excitation frequency	3 Hz
Duty cycle	100% ED
Fluid viscosity	10 ÷ 500 mm <sup>2</sup> /s
Fluid temperature	-25°C ÷ 75°C
Ambient temperature	-25°C ÷ 60°C
Max. contamination level	class 10 in accordance with NAS 1638 with filter $\beta_{25} \geq 75$
Weight with one DC solenoid	1,65 Kg
Weight with two DC solenoids	2 Kg
Weight with one AC solenoid	1,31 Kg
Weight with two AC solenoids	1,72 Kg

CALIBRATED DIAPHRAGMS (3)	
Ø mm	Code
blind	M52.05.0023/4
0.5	M52.05.0023/1
0.6	M52.05.0023/6
0.7	M52.05.0023/8
0.8	M52.05.0023
1.0	M52.05.0023/2
1.2	M52.05.0023/3
1.5	M52.05.0023/7
2.0	M52.05.0023/10
2.2	M52.05.0023/9
2.5	M52.05.0023/5

(3) For high differential pressure please contact our technical department.

## OVERALL DIMENSIONS



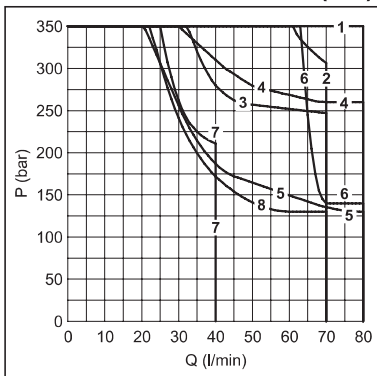
## LIMITS OF USE (MOUNTING C-E-F)

The tests have been carried out with solenoids at operating temperature and a voltage 10% less than rated voltage with a fluid temperature of 40°C. The fluid used was a mineral oil with a viscosity of 46 mm<sup>2</sup>/s at 40°C. The values in the diagram refers to tests carried out with the oil flow in two directions simultaneously T = 2 bar (e.g. from P to A and the same time B to T). In the case where valves 4/2 and 4/3 were used with the flow in one direction only, the limits of use could have variations which may even be negative. Rest times: the values are indicative and depend on following parameters: hydraulic circuit, fluid used and variations in hydraulic scales (pressure P, flow Q, temperature T). The limit of use for AC solenoids were detected with 50 Hz power.

Direct current:	Energizing	30 ÷ 50 ms.	Alternating current:	Energizing	8 ÷ 30 ms.
	De-energizing	10 ÷ 30 ms.		De-energizing	15 ÷ 55 ms.

**NOTE: The operating limits shown are valid for mountings C, E, F.**

### DIRECT CURRENT SOLENOIDS (DC)



Spool type	Solenoids	
	DC	AC
01	1	9
02	1	9
03	3	10
04	2	15
44	1	9
05	1	16
06-66	5	13
11-22	4	17
14-28	7	12
15	8	14
16	6	11

Curves

### ALTERNATING CURRENT SOLENOIDS (AC)

