

AM3VM... / AM3VI... MODULAR MAX PRESSURE VALVES CETOP 3



AM3VM...

CMP10...	CAP. VII • 30
SCREWS AND STUDS	CAP. IV • 21

AM.3.VM type pressure regulating valves are available with a pressure range of 2 ÷ 320 bar.

Adjustment is by means of a grub screw or a plastic knob.

Three basic versions are available:
 - AM3VM on single A or B lines, and on A and B lines, with drainage to T;
 - AM3VMP on single P line, with drainage to T;
 - AM3VI on single A or B lines, and on A and B lines, with crossed drainage on A or B (see hydraulic symbols).
 All versions can accept three types of springs with calibrated ranges as shown in the specifications.

Max. operating pressure	320 bar
Setting ranges:	spring 1 max. 50 bar spring 2 max. 150 bar spring 3 max. 320 bar
Max. flow	40 l/min
Hydraulic fluids	Mineral oils DIN 51524
Fluid viscosity	10 ÷ 500 mm ² /s
Fluid temperature	-25°C ÷ 75°C
Ambient temperature	-25°C ÷ 60°C
Max. contamination level	class 10 in accordance with NAS 1638 with filter β ₂₅ ≥ 75
Weight AM3VMA/B/P...	1,2 Kg
Weight AM3VMAB...	1,3 Kg
Weight AM3VIA/B...	2 Kg
Weight AM3VIAB...	2,2 Kg

The cartridge, which is the same for all versions, is the direct acting type CMP10.

For the minimum permissible setting pressure depending on the spring, see minimum pressure setting curve.

ORDERING CODE

AM

Modular valve

3

CETOP 3/NG6

VM = Maximum pressure
VI = Maximum pressure crossline

Adjustment on the lines
 AM3VM Version = **A / B / P / AB**
 AM3VI Version = **A / B / AB**

Type of adjustment
M = Plastic knob
C = Grub screw

Setting ranges at port A/B/P
1 = max. 50 bar (**white spring**)
2 = max. 150 bar (**yellow spring**)
3 = max. 320 bar (**green spring**)

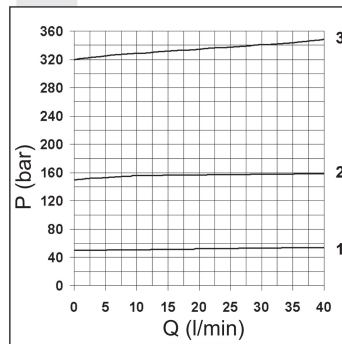
Setting ranges at port B
 (Omit if the setting is same as that at port A)
1 = max. 50 bar (**white spring**)
2 = max. 150 bar (**yellow spring**)
3 = max. 320 bar (**green spring**)

00 = No variant
V1 = Viton

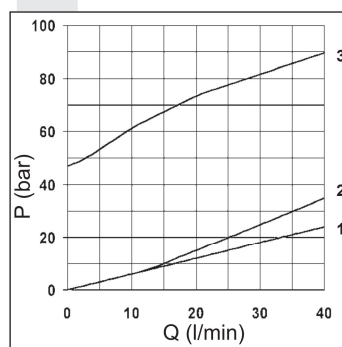
3

Serial No.

PRESSURE - FLOW RATE

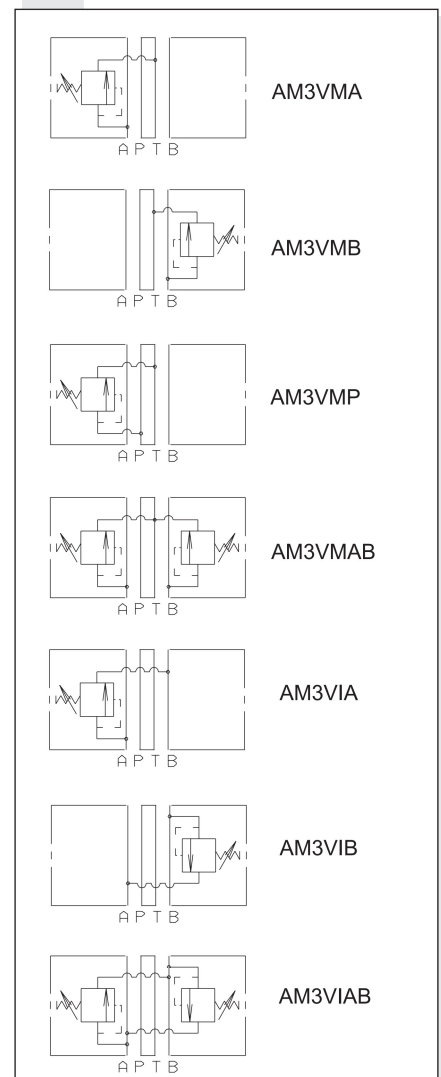


MINIMUM SETTING PRESSURE



Curves n° 1 - 2 - 3 = setting ranges

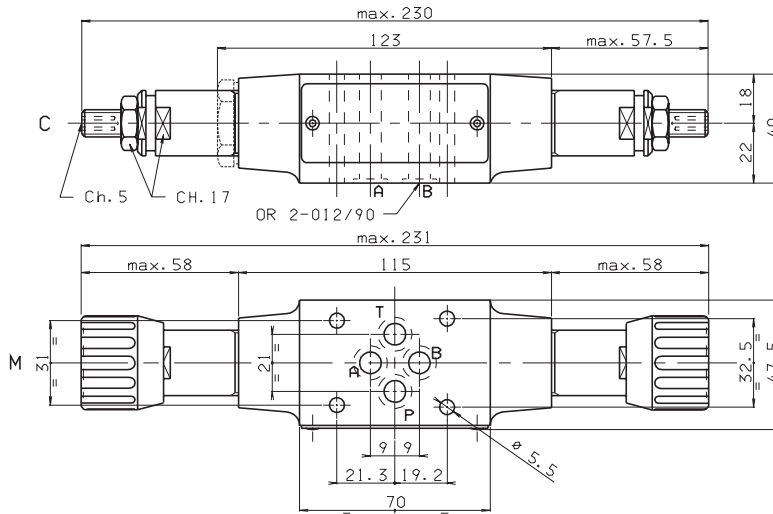
HYDRAULIC SYMBOLS



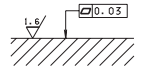
AM3VM... / AM3VI... MODULAR MAX PRESSURE VALVES CETOP 3

OVERALL DIMENSIONS

AM.3.VM.AB...



Support plane specifications

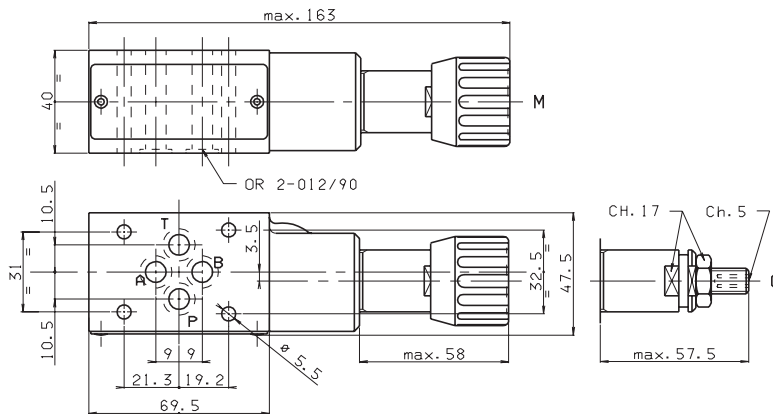


4

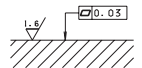
Type of adjustment

- M Plastic knob
- C Grub screw

AM.3.VM.P...



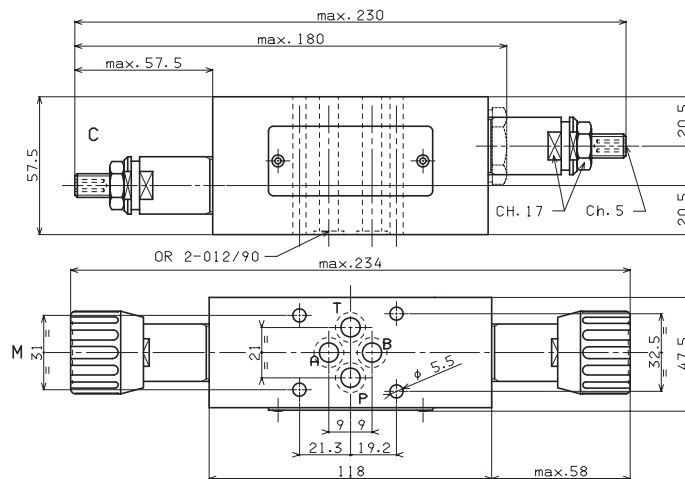
Support plane specifications



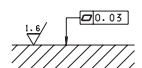
Type of adjustment

- M Plastic knob
- C Grub screw

AM.3.VI.AB...



Support plane specifications



Type of adjustment

- M Plastic knob
- C Grub screw