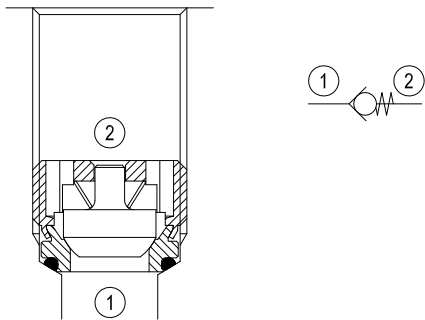


Insert type Check, poppet type



VUH1

0T.U5.01.00 - Y - Z

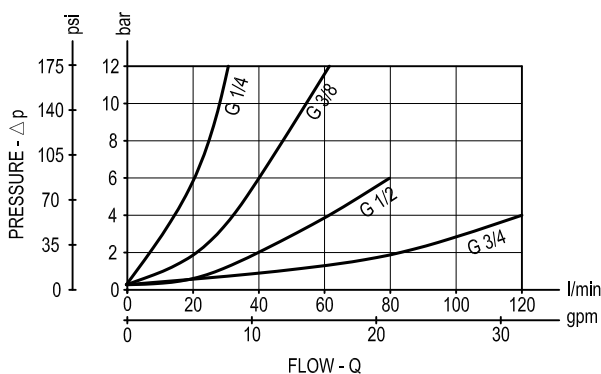


Description

When pressure at 1 rises above the spring bias pressure, the poppet is lifted and flow allowed from 1 to 2. The valve is closed (checked) from 2 to 1. Precision machining and hardening processes allow virtually leak-free performance in the checked condition.

Note: UNF and Metric versions available on request. Consult factory.

Performance

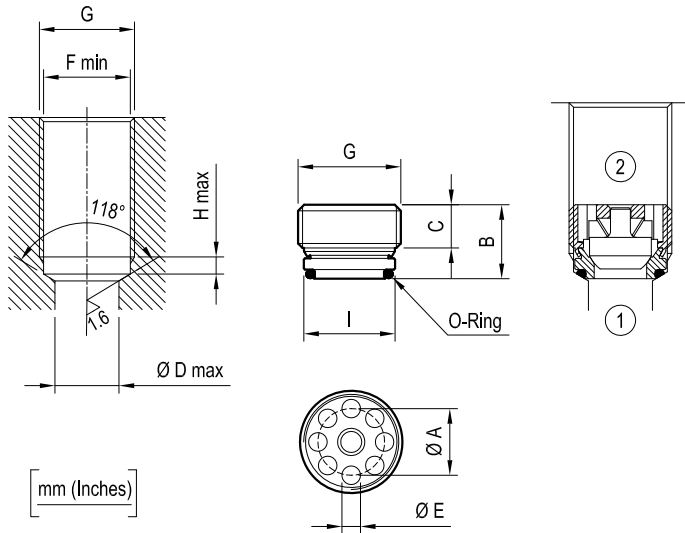


Technical data

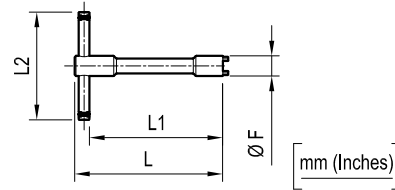
Max. operating pressure	bar (psi)	350 (5000)
Max. flow	l/min. (gpm)	see "performance" graph
Max. internal leakage	drops/min.	5
Fluid temperature range	°C (°F)	-30 to 100 (-22 to 212)
Installation torque	Nm (ft-lbs)	see "Dimensions" table
Weight	kg (lbs)	see "Dimensions" table
Special cavity		see "Dimensions"
MTTFD		150 years see data sheet 18350-51
Lines bodies and standard assemblies		Please refer to section "Hydraulic integrated circuit" or consult factory
Seal kit (*)	code material no.	see "Dimensions" table
Fluids		Mineral-based or synthetics with lubricating properties at viscosities of 5 to 800 mm ² /s (cSt)
Recommended degree of fluid contamination		Nominal value max. 10µm (NAS 8) ISO 4406 20/18/15
Other Technical Data		See data sheet RE 18350-50

(*) Only external seals for 10 valves

Dimensions



Fitting tool dimensions



Type	F	L	L1	L2	Tool code	Material number
VUH1.G14	11.3 (0.45)	120 (4.72)	110 (4.33)	60 (2.36)	AVA17	R931002552
VUH1.G38	14.9 (0.59)	120 (4.72)	108 (4.25)	80 (3.15)	AVA17-01	R931002553
VUH1.G12	18.6 (0.73)	120 (4.72)	108 (4.25)	80 (3.15)	AVA17-02	R931002554
VUH1.G34	24 (0.94)	120 (4.72)	108 (4.25)	80 (3.15)	AVA17-06	R930076454

G *	A	B	C	D	E	F	O-Ring dimensions	Seal kit	H	I	Weight kg (lbs)	Inst. torque Nm (ft-lbs)	Flow max. l/min. (gpm)
G 1/4	8.5 (0.34)	8.8 (0.35)	4.2 (0.17)	7 (0.28)	2.2 (0.09)	11.6 (0.46)	Ø 8.1x1.6 (0.32x0.06)	RG09UH010000100 R931002413	3 (0.12)	11.3 (0.45)	0.005 (0.011)	15 (11)	20 (5)
G 3/8	10.8 (0.43)	12 (0.47)	7 (0.28)	9 (0.35)	3 (0.12)	15.1 (0.6)	Ø 11x1.5 (0.43x0.06)	RG02UH010000100 R931002411	3 (0.12)	14.8 (0.58)	0.015 (0.033)	20 (15)	50 (13)
G 1/2	14.2 (0.56)	14.7 (0.58)	8 (0.32)	12 (0.47)	3.8 (0.15)	18.8 (0.74)	Ø 14x1.5 (0.55x0.06)	RG03UH010000100 R931002412	4.5 (0.18)	18.6 (0.73)	0.015 (0.033)	30 (22)	80 (21)
G 3/4	16.5 (0.65)	14.7 (0.58)	7.2 (0.28)	18 (0.71)	5 (0.2)	24.5 (0.96)	Ø 18.77x1.78 (0.74x0.07)	RG04UH010000100 R930076457	4.5 (0.18)	23.9 (0.94)	0.036 (0.079)	50 (37)	120 (32)

* Thread in accordance with ISO 228-1

Ordering code

OT.U5.01.00	Y	Z	*
-------------	---	---	---

Insert type - Check, poppet type

Series 0/A to L
unchanged performances and dimensions

Port sizes

= 09 G 1/4

= 02 G 3/8

= 03 G 1/2

= 04 G 3/4

SPRINGS

Cracking pressure bar (psi)

= 00 < 0.5 (7)

Type	Material number
OTU501000200000	R901064101
OTU501000300000	R901087794
OTU501000900000	R900764338
OTU501000400000	R930074994

Type	Material number