

Coils and accessories

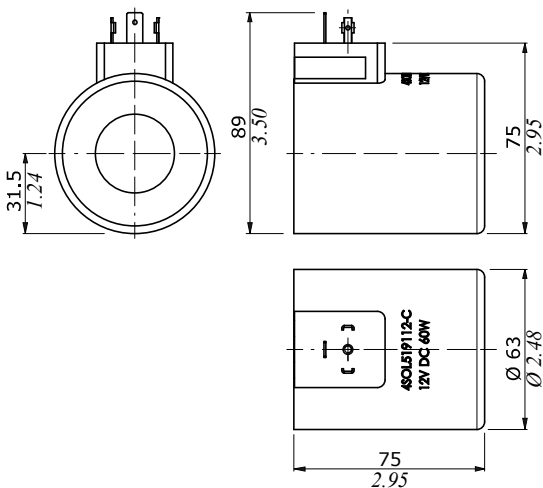
Type	Voltage	Ordering codes					
		ISO4400	Deutsch DT	AMP JPT	Packard Weatherpack	Packard Metri-pack	Flying leads without connector
D19C	12 VDC	4SOL519112-C	4SOL519402-C ⁽⁶⁾ 4SOL519413-C ⁽²⁾	-	-	-	4SOL519113-C
	24 VDC	4SOL519124-C	4SOL519404-C ⁽⁶⁾ 4SOL519425-C ⁽²⁾	-	-	-	-
	28 VDC	-	4SOL519128-C ⁽⁶⁻³⁾	-	-	-	-
Mating connectors							
		4CN1009995	5CON140031	-	-	-	-

Notes: ⁽¹⁾ supply with AC and use only with rectifier connector - ⁽²⁾ with flying leads - ⁽³⁾ with bidirectional diode - ⁽⁴⁾ with unidirectional diode ⁽⁵⁾ integrated perpendicular type - ⁽⁶⁾ integrated parallel type

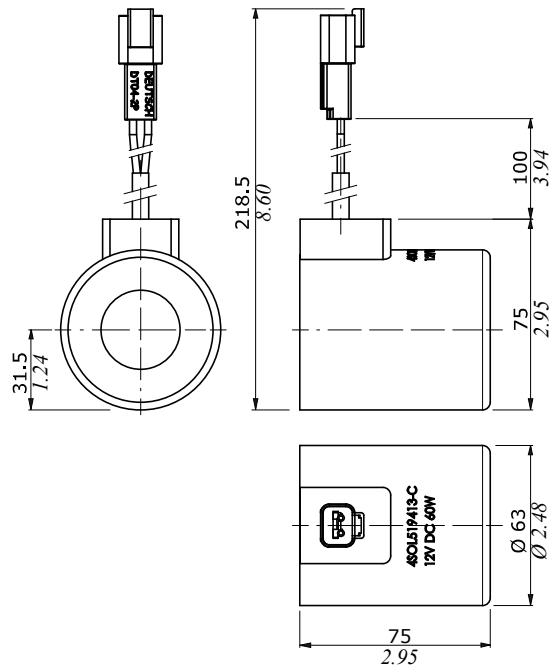
Features

Nominal voltage tolerance : ±10%
 Nominal power..... : 60 W - 12/24/28 VDC
 Nominal current : 5 A @ 12 VDC / 2.5 A @ 24 VDC / 2.14 A @ 28 VDC
 Insulation : Class H (180°C)
 Weather protection : IP65 - ISO4400 / IP69K - Deutsch DT
 Insertion : 100%

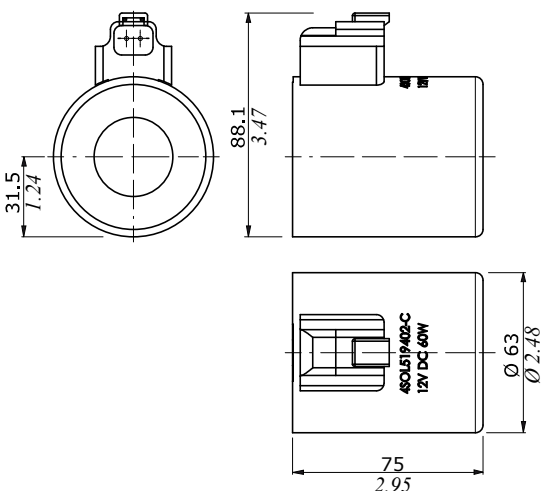
ISO4400 connector



Flying leads with DEUTSCH DT04 connector



DEUTSCH DT04 connector (Parallel type)



Flying leads

