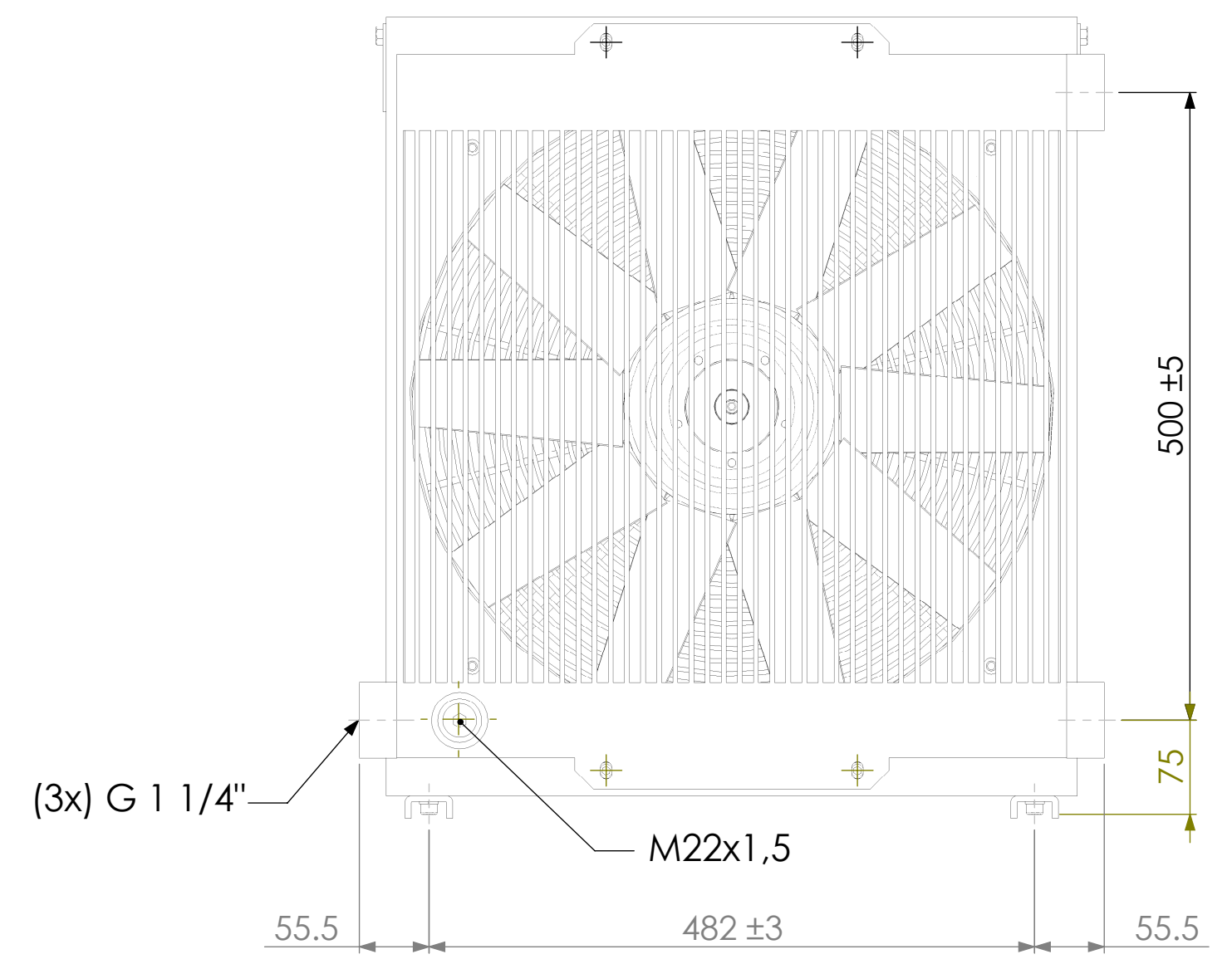
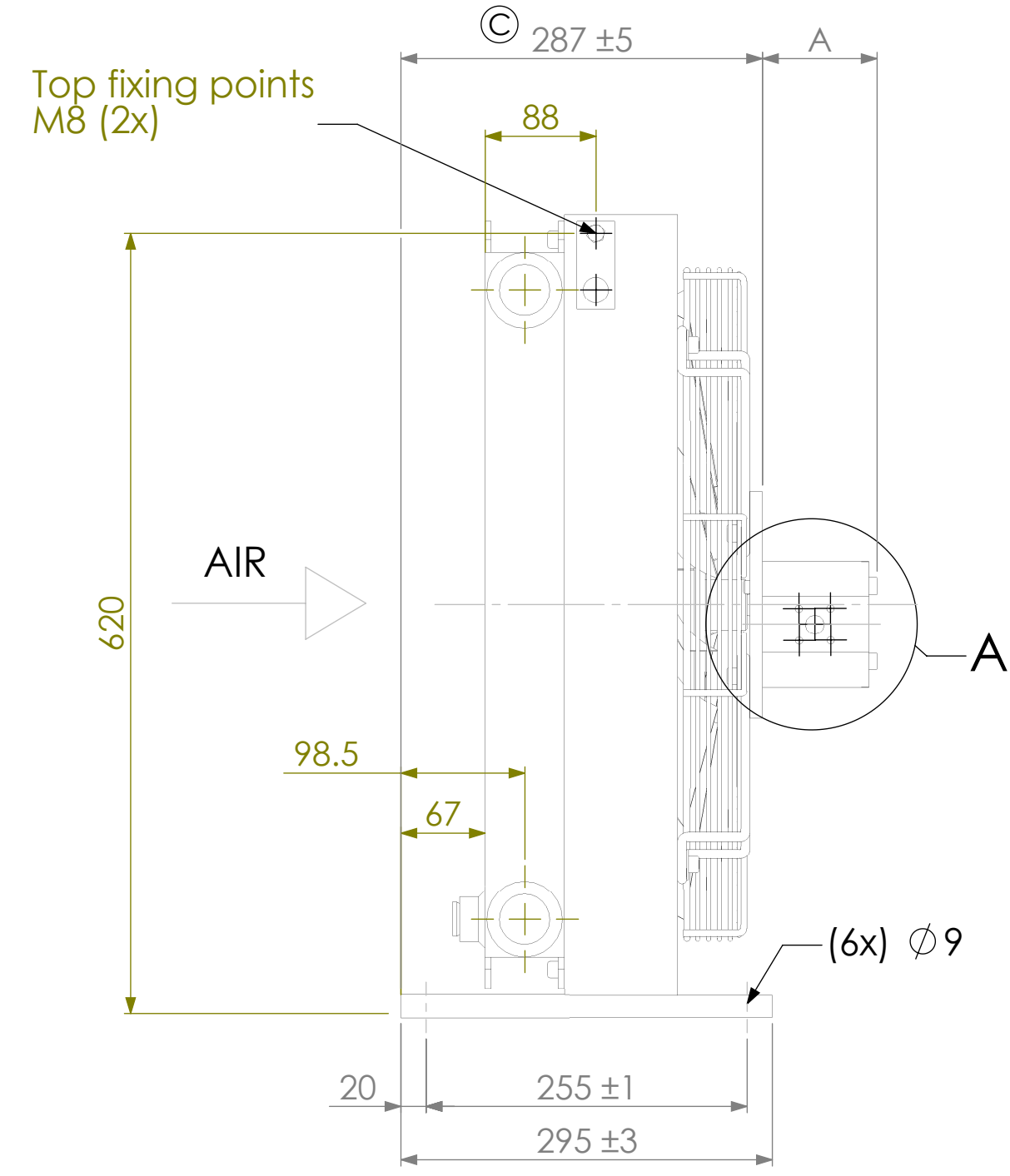
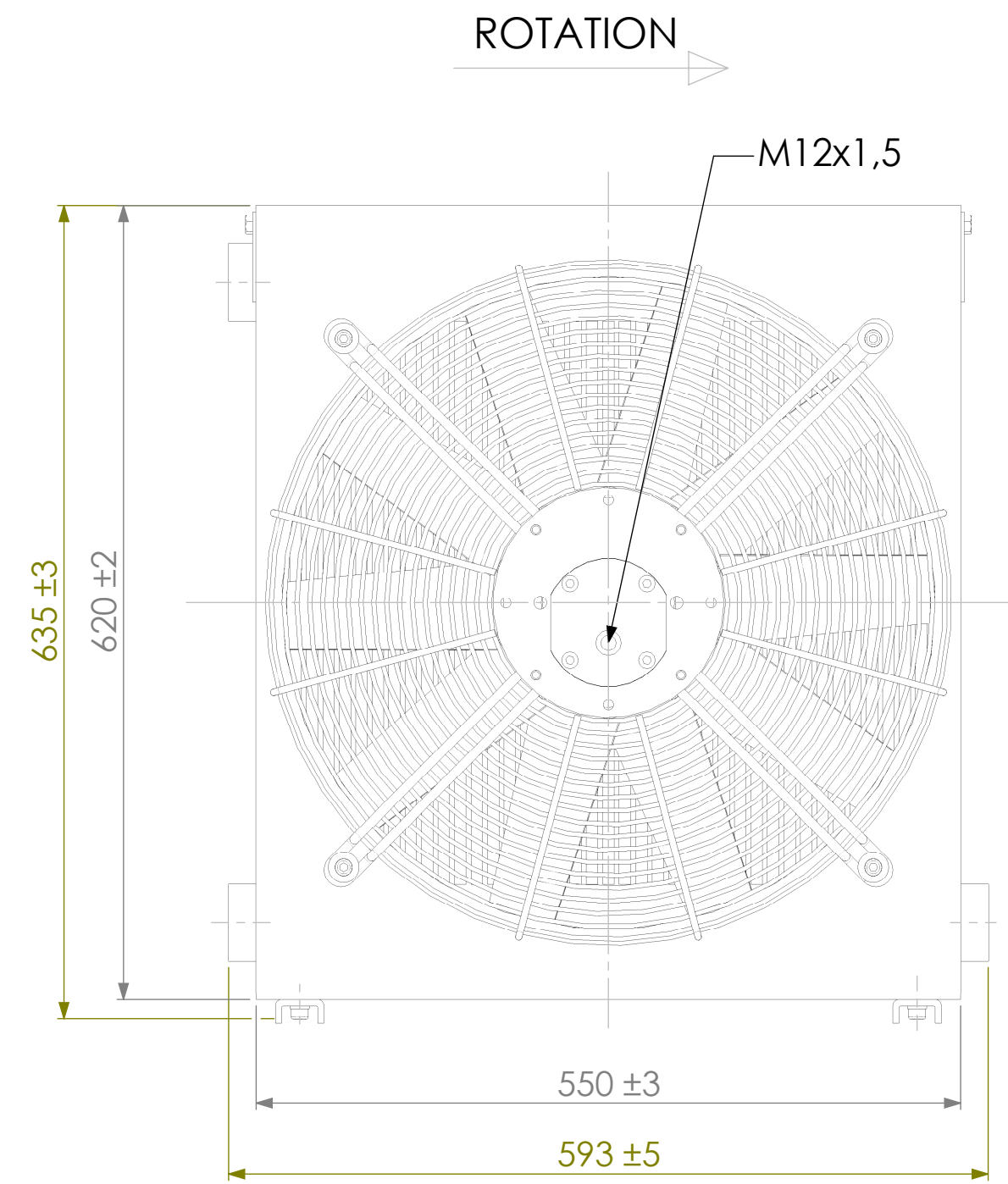


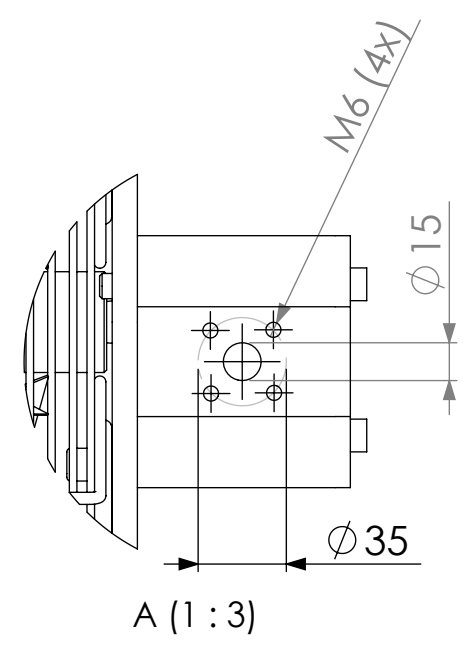
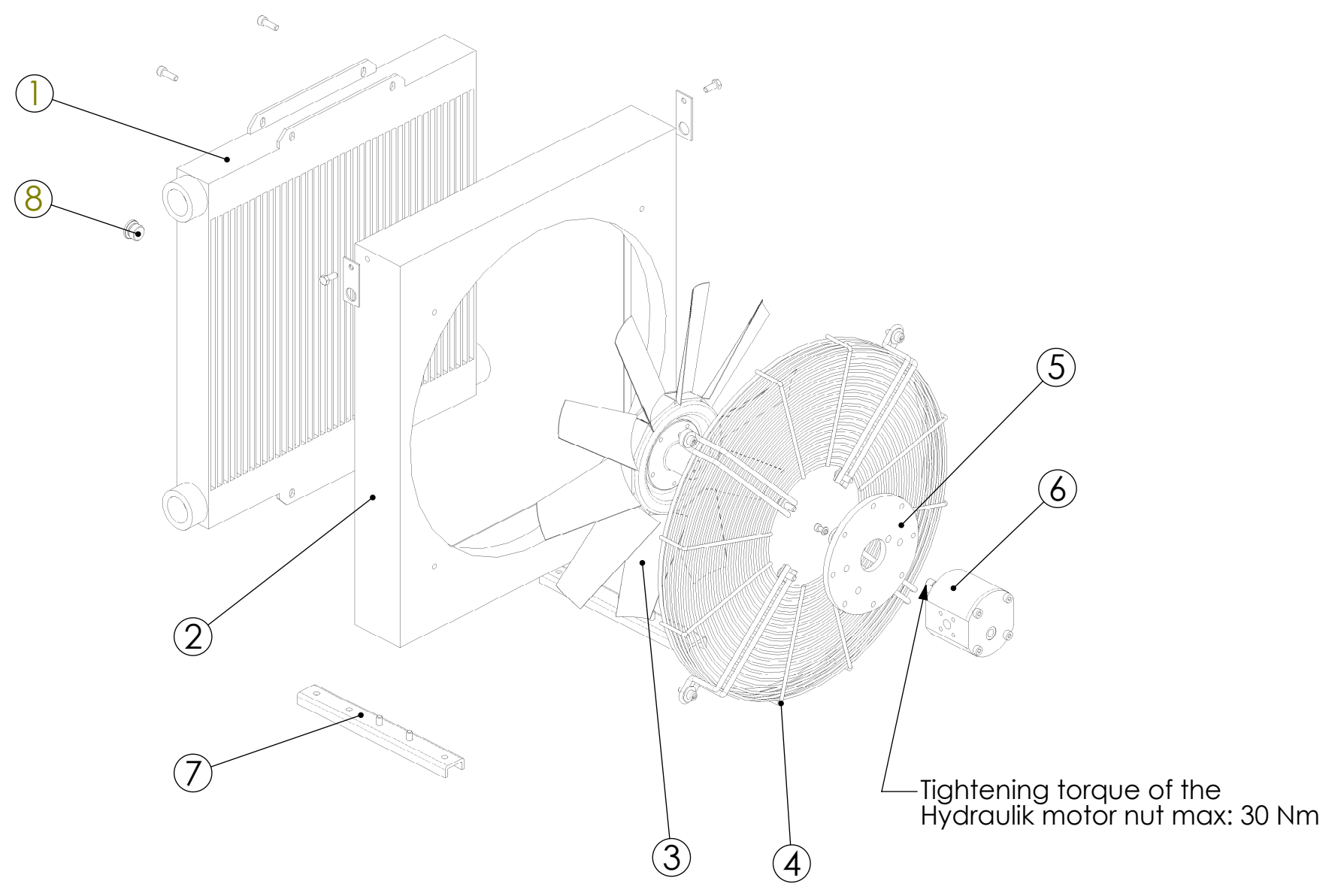
THIS DOCUMENT INVOLVES PROPRIETARY DESIGN OF HYDAC SA CH 6805 MEZZOVICO AND ALL DESIGN, MANUFACTURING, REPRODUCTION, USE AND SALES RIGHTS REGARDING THE SAME ARE EXPRESSLY RESERVED. IT IS SUBMITTED FOR A SPECIFIC PURPOSE AND THE RECIPIENT, BY ACCEPTING THIS DOCUMENT ASSUMES CUSTODY AND CONTROL AND AGREES TO TAKE REASONABLE PRECAUTIONS SO THAT THIS DOCUMENT WILL NOT BE COPIED OR REPRODUCED IN WHOLE OR IN PART NOR ITS CONTENTS REVEALED IN ANY MANNER OR TO ANY PERSON EXCEPT TO MEET THE PURPOSE FOR WHICH IT WAS DELIVERED, AND THAT ANY SPECIAL FEATURES PARTICULAR TO THIS DESIGN WILL NOT BE INCORPORATED IN OTHER PROJECTS WITHOUT THE EXPRESSED PERMISSION OF HYDAC SA.

IND.	Nr.	Description	Area
A		agg. fissaggio sopra ma/FE	
B		agg. nota motori Hy.	
C		New feet type.strengthened8dim 287 was 292mm	
D		Update element part number	
E		Update element modle on the drawing	



	A
H 6,3	90,6
H 14	103,4
H 22	117,6

Notes: For mobile applications (where G force loads are high), the cooler MUST be fixed both at the feet and at the top fixing points.



QTY.	QTY.	QTY.	Position	DESCRIPTION	SPARE PART NUMBER
1	1	1	8	Plug M22x1,5	2506527
2	2	2	7	Feet	3160951
1			6	Hydraulic Motor H 22	3103522
1	1	1	6	Hydraulic Motor H 14	3103521
		1	6	Hydraulic Motor H 6.3	3103497
1	1	1	5	Support for motor	3106375
1	1	1	4	Grid	3128564
1	1	1	3	Fan 500/10-10/30LD/PPG/S/FM17 Kon.	3117049
1	1	1	2	Casing	3128563
1	1	1	1	Radiator	3090178

PART NUMBER	3128567	3128566	3128565	<p>COOLING SYSTEMS DIVISION CH - 6805 Mezzovico</p>	Tolerance in mm			SCALE	1:5	COLOUR	RAL 9005						
					From	±0.5	±1	±1.5	±2	±3	MATERIAL	Post-treatment					
Assy. PART Description	OK-ELH6/1.1/H22	OK-ELH6/1.1/H14	OK-ELH6/1.1/H6.3		DATE	NAME	NAME	OK-ELH6/1.1/H6.3/14/22 Assembly									
	E	D	C	B	A	See the above table	07-10-2005	Sieber G.	APPD	21-08-2002	Emu' F	DRAWING NUMBER	RH6i3005	SIZE	A2	SHEET	1/1
						See the above table	25-08-2004	Sieber G.									
						See the above table	27-02-2004	Sieber G.	PROJECTION								
						See the above table	2.2.2004	ma/FE									
						See the above table	11.12.02	ma									
INDEX	REVISION	DATE	NAME														