

Coil and accessories

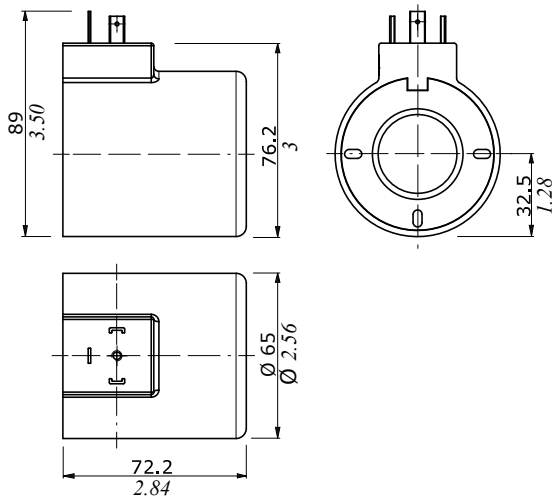
Type	Voltage	Ordering codes					Flying leads without connector
		ISO4400	Deutsch DT	AMP JPT	Packard Weatherpack	Packard Metri-pack	
D19	12 VDC	4SOL519112	4SOL519402 ⁽⁶⁾	-	-	-	-
	20 VDC	4SOL519120	-	-	-	-	-
	24 VDC	4SOL519124	4SOL519404 ⁽⁶⁾	-	-	-	-
	94 VDC	4SOL519194	-	-	-	-	-
	192 VDC	4SOL519292	-	-	-	-	-
Mating connectors		4CN1009995	5CON140031	-	-	-	-

Notes: (1) supply with AC and use only with rectifier connector - (2) with flying leads - (3) with bidirectional diode - (4) with unidirectional diode (5) integrated perpendicular type - (6) integrated parallel type

Features

Nominal voltage tolerance: ±10%
 Nominal power.....: 60 W
 12/20/24/94/192 VDC
 Nominal current.....: 5 A @ 12 VDC
 : 3 A @ 20 VDC
 : 2.5 A @ 24 VDC
 : 2.5 A @ 94 VDC
 : 0.31 A @ 192 VDC
 Insulation.....: Class H (180°C - 356 °F)
 Weather protection.....: IP65 - ISO4400
 : IP69K - Deutsch DT
 Insertion.....: 100%

ISO4400 connector



DEUTSCH DT04 connector (Parallel type)

