

**Coils and accessories**

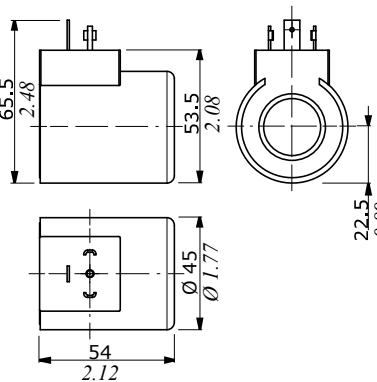
Type	Voltage	Ordering codes					
		Connector types					
		ISO4400	Deutsch DT	AMP JPT	Packard Weatherpack	Packard Metri-pack	Flying leads without connector
<b>D15</b>	<b>12 VDC</b>	4SOL515012	4SOL515011 <sup>(2)</sup> 4SOL515014A <sup>(3-6)</sup>	4SOL515016 <sup>(5)</sup>	-	-	-
	<b>14 VDC</b>	-	4SOL515014B <sup>(3-6)</sup>	4SOL515016A <sup>(5)</sup>	-	-	-
	<b>24 VDC</b>	4SOL515024	4SOL515025A <sup>(3-6)</sup> 4SOL515021 <sup>(2)</sup>	-	-	-	-
	<b>48 VDC</b>	4SOL515048	-	4SOL515049 <sup>(2)</sup>	-	-	-
	<b>98 VDC</b>	4SOL515098	-	-	-	-	-
	<b>110 VDC</b>	4SOL515110	-	-	-	-	-
<b>Mating connectors</b>							
		4CN1009995	5CON140031	5CON003	-	-	-

Notes: (1) supply with AC and use only with rectifier connector - (2) with flying leads - (3) with bidirectional diode - (4) with unidirectional diode (5) integrated perpendicular type - (6) integrated parallel type

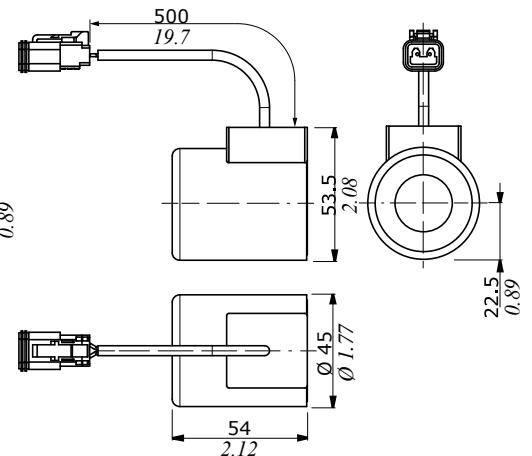
**Features**

- Nominal voltage tolerance: ±10%
- Nominal power.....: 38 W
- 12/14/24/48/98/110 VDC
- Nominal current.....: 3.16 A @ 12 VDC
- : 2.9 A @ 14 VDC
- : 1.58 A @ 24 VDC
- : 0.79 A @ 48 VDC
- : 0.41 A @ 98 VDC
- : 0.35 A @ 110 VDC
- Insulation.....: Class H (180°C - 356°F)
- Weather protection.....: IP65 - ISO4400
- : IP69K - Deutsch DT
- : IP65 - AMP JPT
- Insertion.....: 100%

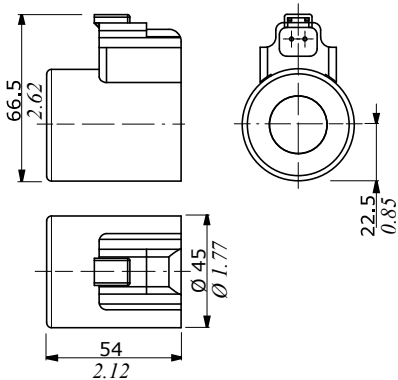
**ISO4400 connector**



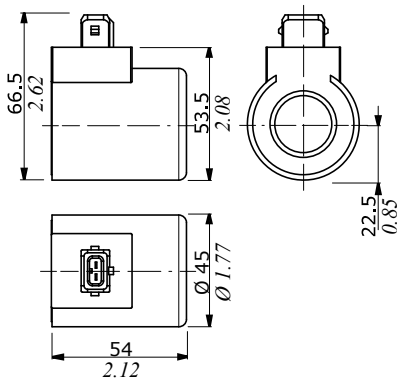
**Flying leads with DEUTSCH DT04 connector**



**DEUTSCH DT04 connector**  
(Parallel type)



**AMP JPT connector**  
(Perpendicular type)



**Flying leads with AMP JPT connector**

