



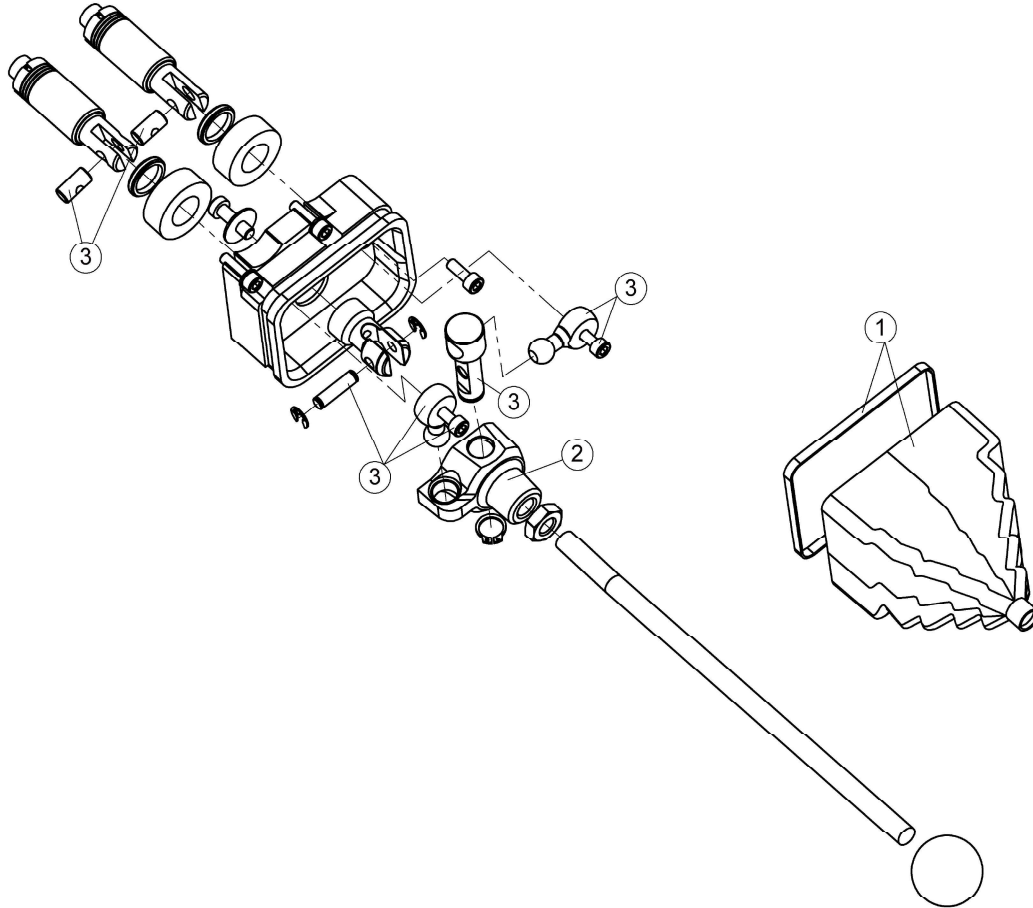
## Spare part list

Valve type RS 210

Coordinat DM

Created 2019-04-08

### M2KL33



Part No	Description
2260-281552	Handlever for manoeuvring of two 3-pos. spools. Horizontal movement of the lever will cause manoeuver on the left side mounted spool.
2500-4312759	Sparepart kit 1. consisting of pos 1.
8151-281557	Sparepart kit 2. consisting of pos 2.
2500-4312891	Sparepart kit 3. consisting of pos 3.

#### Notes:



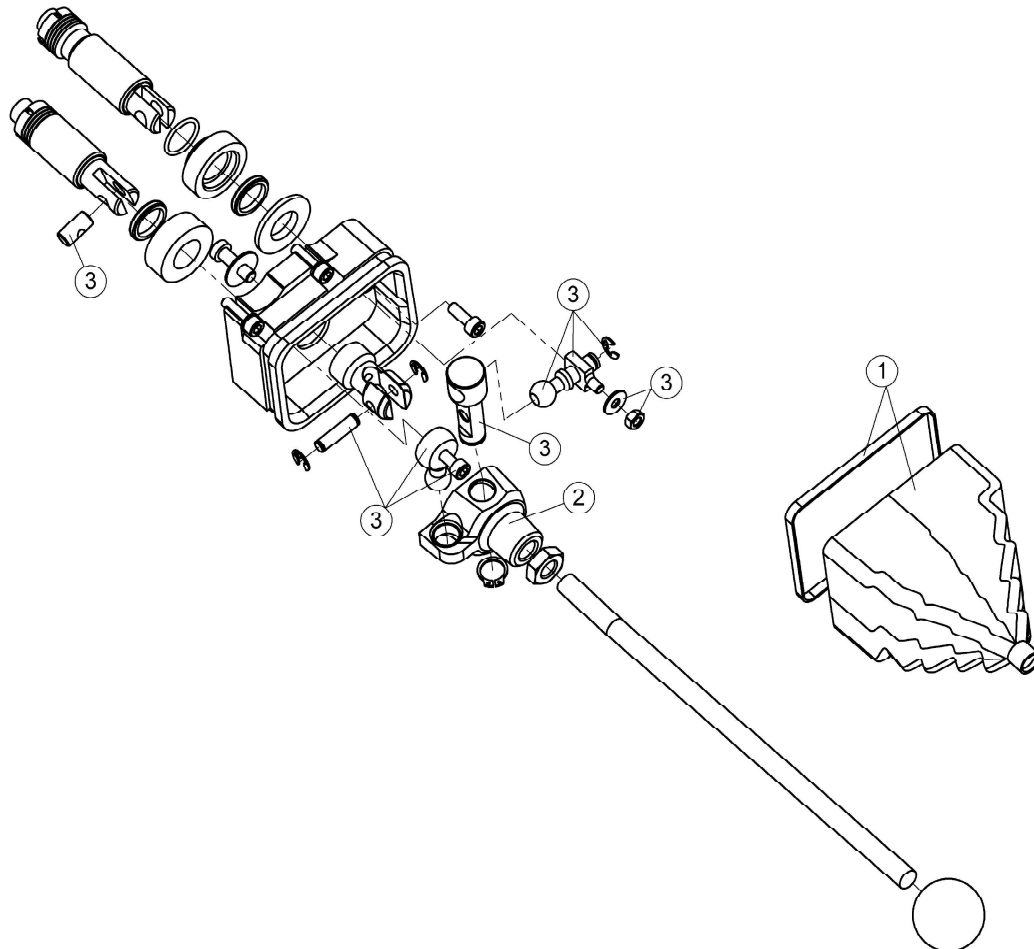
## Spare part list

Valve type RS 210

Coordinat DM

Created 2019-04-08

### M2KL34



**Part No**

**Description**

2260-  
281550

Handlever for manoeuvring of one 3-pos. and one 4-pos. spool. Horizontal movement of the lever will cause manoeuvre on the left side mounted spool.

2500-  
4312759

Sparepart kit 1. consisting of pos 1.

8151-  
281557

Sparepart kit 2. consisting of pos 2.

2500-  
4318711

Sparepart kit 3. consisting of pos 3. The nut shall be locked with Loctite 243.

**Notes:**



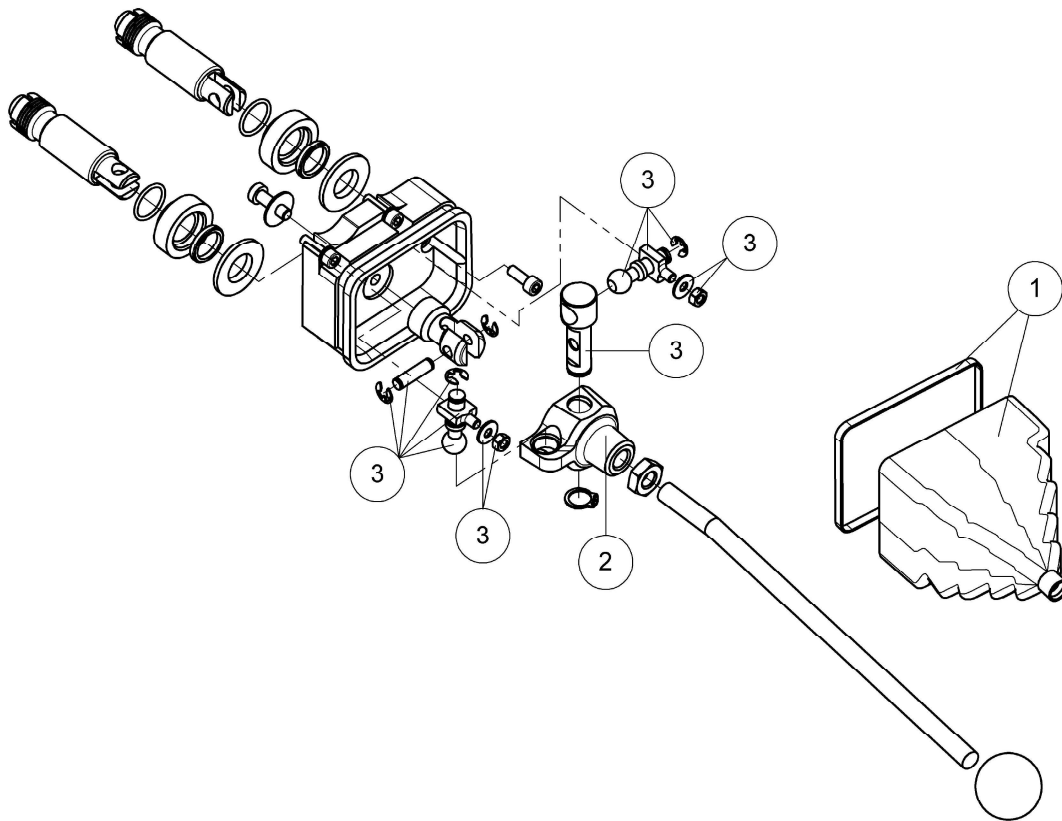
## Spare part list

Valve type RS 210

Coordinat DM

Created 2019-04-08

### M2KL44



#### Part No

#### Description

2260-  
281554

Handlever for manoeuvring of two 4-pos. spools. Horizontal movement of the lever will cause maneuver on the left side mounted spool.

2500-  
4312759

Spare part kit 1. consisting of pos 1.

8151-  
281557

Sparepart kit 2. consisting of pos 2.

2500-  
4322854

Sparepart kit 3. consisting of pos 3. The nut shall be locked with Loctite 243.

#### Notes:



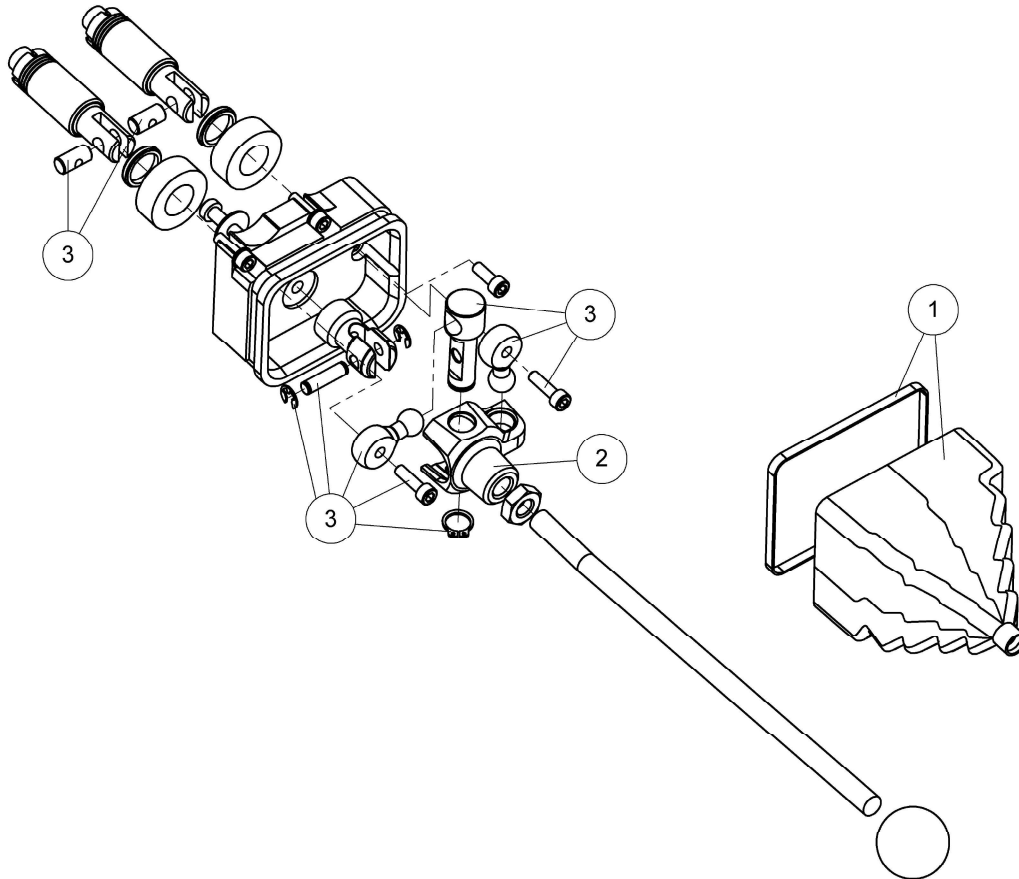
## Spare part list

Valve type RS 210

Coordinat DM

Created 2019-04-08

### M2KR33



Part No	Description
2260-281553	Handlever for manoeuvring of two 3-pos. spools. Horizontal movement of the lever will cause maneuver on the right side mounted spool.
2500-4312759	Sparepart kit 1. consisting of pos 1.
8151-281557	Sparepart kit 2. consisting of pos 2.
2500-4312891	Sparepart kit 3. consisting of pos 3.

#### Notes:



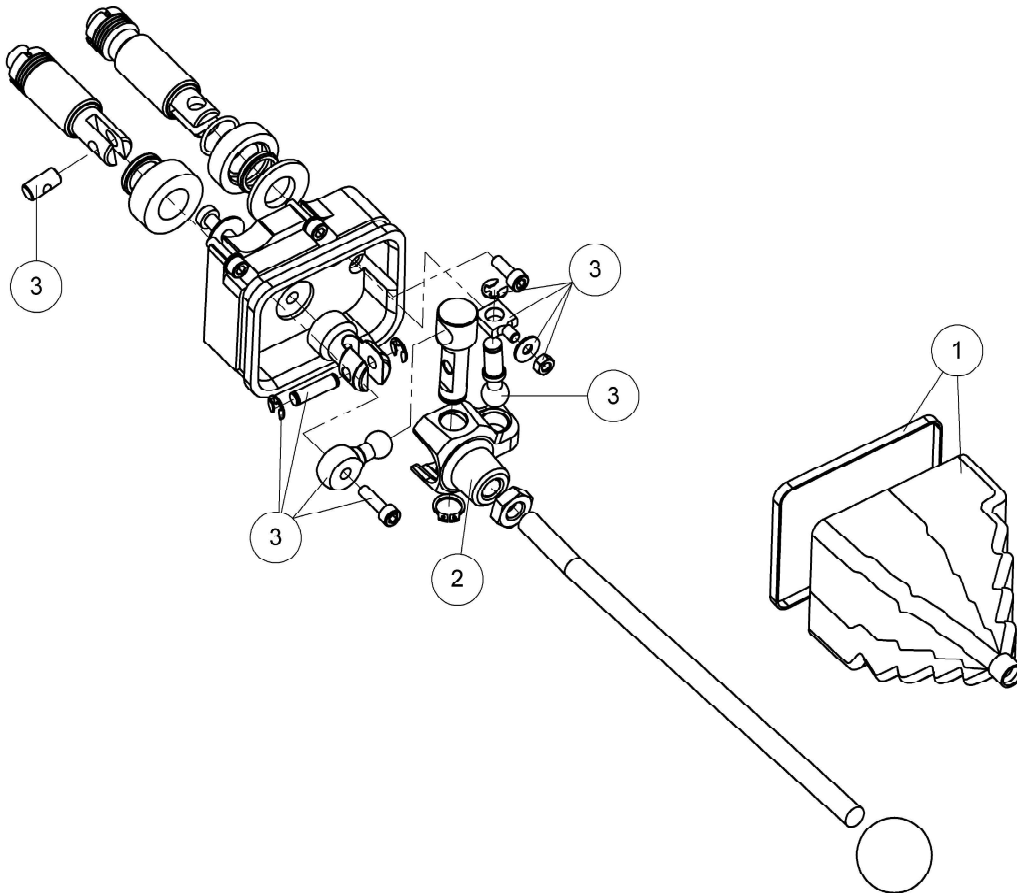
## Spare part list

Valve type RS 210

Coordinat DM

Created 2019-04-08

### M2KR34



Part No	Description
2260-281551	Handlever for manoeuvring of one 3-pos. and one 4-pos. spool. Horizontal movement of the lever will cause manoeuver on the right side mounted spool.
2500-4312759	Sparepart kit 1. consisting of pos 1.
8151-281557	Sparepart kit 2. consisting of pos 2.
2500-4318711	Sparepart kit 3. consisting of pos 3. The nut shall be locked with Loctite 243.

#### Notes:



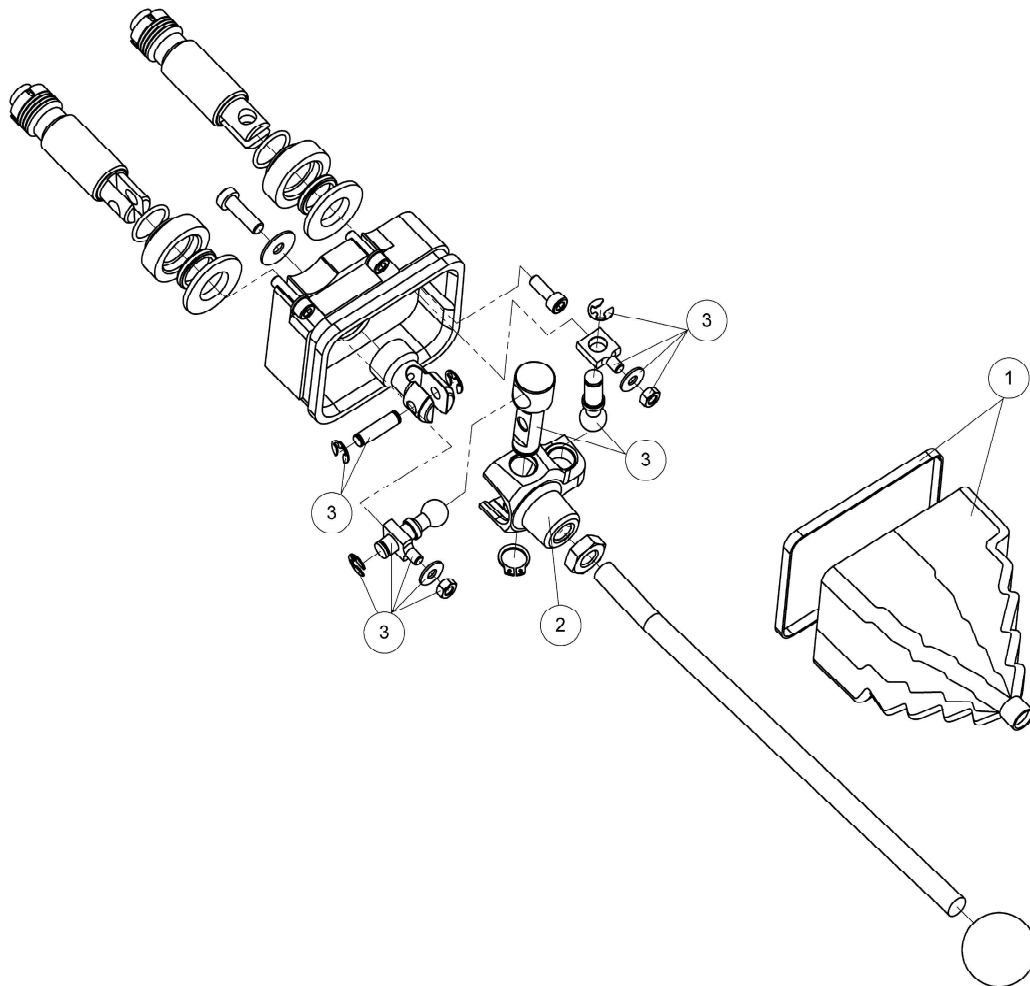
## Spare part list

Valve type RS 210

Coordinat DM

Created 2019-04-08

### M2KR44



Part No	Description
2260-281555	Handlever for manoeuvring of two 4-pos. spools. Horizontal movement of the lever will cause manoeuver on the right side mounted spool.
2500-4312759	Spare part kit 1. consisting of pos 1.
8151-281557	Sparepart kit 2. consisting of pos 2.
2500-4322854	Sparepart kit 3. consisting of pos 3. The nut shall be locked with Loctite 243.

#### Notes: