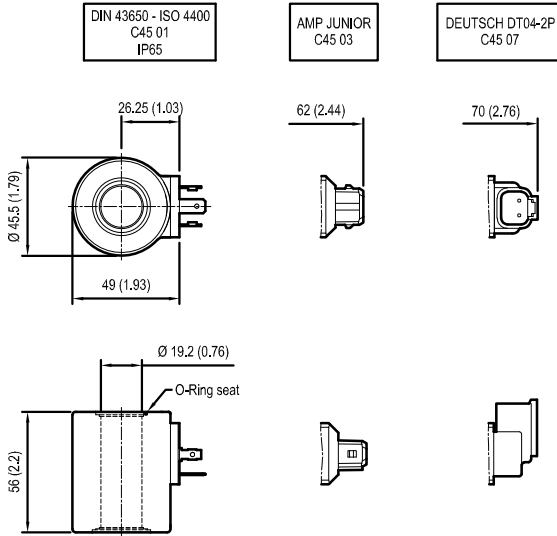


Coils - Connectors

COIL C45 - CLASS H



TECHNICAL DATA

Weight: 0.34 kg (0.75 lbs)
 Heat insulation Class H: 180°C (356°F)
 Ambient temperature range: -30/+60°C (-22/+140°F)
 Inlet voltage fluctuations must not exceed ±10% of nominal voltage to obtain correct operation and long life coils.

[mm / Inches]

Connection

DIN 43650 - ISO 4400

Description	Voltage V	Power W	Current A to 20°C	Resistance Ω ±7% to 20°C	Code	Material Number
C45 01 12DC	12 DC	33	2.8	4.2	271-0417	R933000026
C45 01 24DC	24 DC	33	1.4	17.1	271-0418	R933000034

Connection

AMP JUNIOR

Description	Voltage V	Power W	Current A to 20°C	Resistance Ω ±7% to 20°C	Code	Material Number
C45 03 12DC	12 DC	33	2.8	4.2	271-041710	R933000027
C45 03 24DC	24 DC	33	1.4	17.1	271-041725	R933003630

Connection

DEUTSCH DT04-2P

Description	Voltage V	Power W	Current A to 20°C	Resistance Ω ±7% to 20°C	Code	Material Number
C45 07 12DC	12 DC	33	2.8	4.2	271-041717	R933000030
C45 07 24DC	24 DC	33	1.4	17.1	271-041719	R933000032