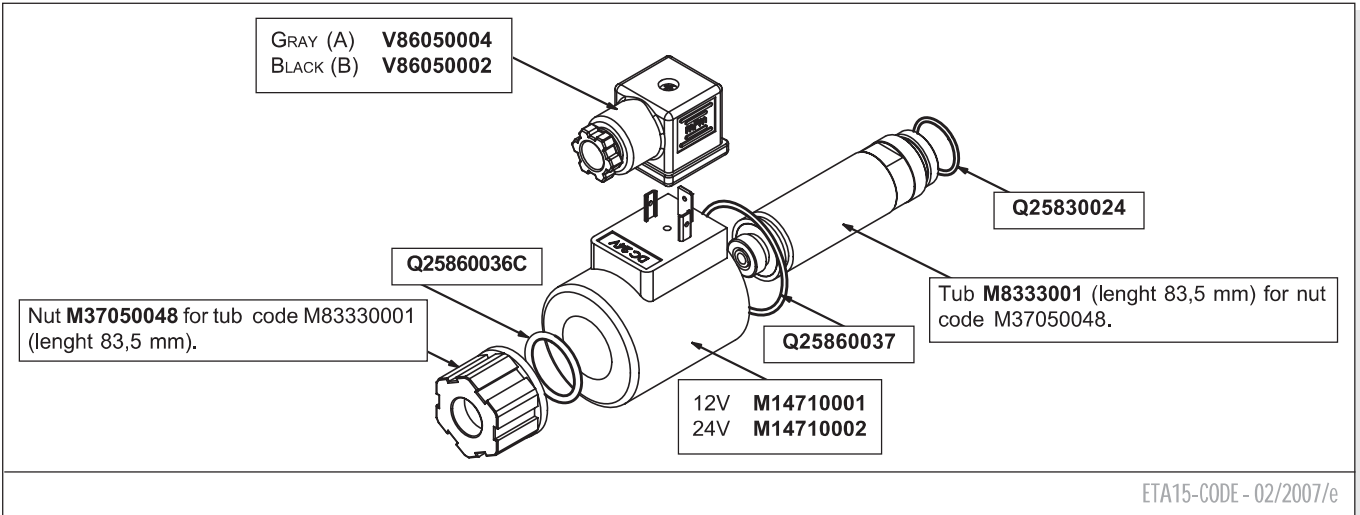


## "A15" DC COILS

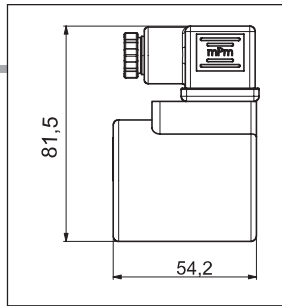


Type of protection	IP 65
Number of cycle	18.000/h
Supply tolerance	±10%
Ambient temperature	-30°C ÷ 60°C
Duty cycle	100% ED
Insulation class	H
Weight (coil)	0,354 Kg
Weight (solenoid)	0,526 Kg
Rated power	30W
Max. winding temperature (Ambient temperature at 20°C)	110°C
Resistance at 20°C for 12 voltage coil	4.8 Ohm (±10%)
Resistance at 20°C for 24 voltage coil	19.2 Ohm (±10%)

ETA15 - 02/2005/e



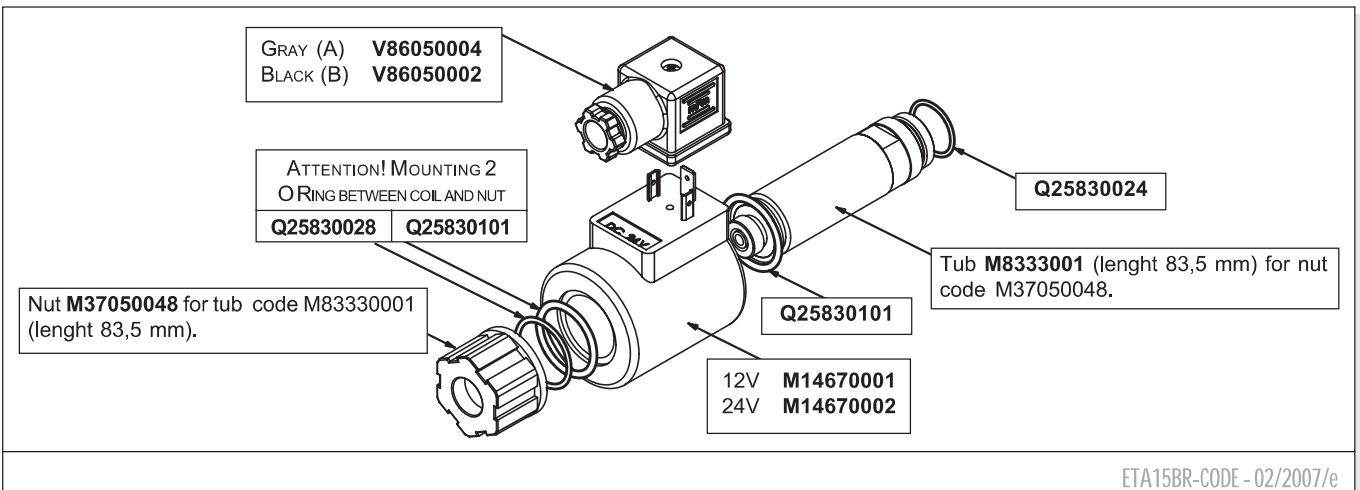
ETA15-CODE - 02/2007/e



## "A15" DC COILS "BR" PLASTIC VARIANT

Type of protection	IP 65
Number of cycle	18.000/h
Supply tolerance	±10%
Ambient temperature	-54°C ÷ 60°C
Duty cycle	100% ED
Insulation class	H
Weight (coil)	0,308 Kg
Weight (solenoid)	0,527 Kg
Rated power	33W
Max. winding temperature (Ambient temperature at 20°C)	110°C
Resistance at 20°C for 12 voltage coil	4.4 Ohm (±10%)
Resistance at 20°C for 24 voltage coil	17.5 Ohm (±10%)

ETA15BR - 02/2007/e



ETA15BR-CODE - 02/2007/e