



"A16" DC COILS FOR CETOP 5

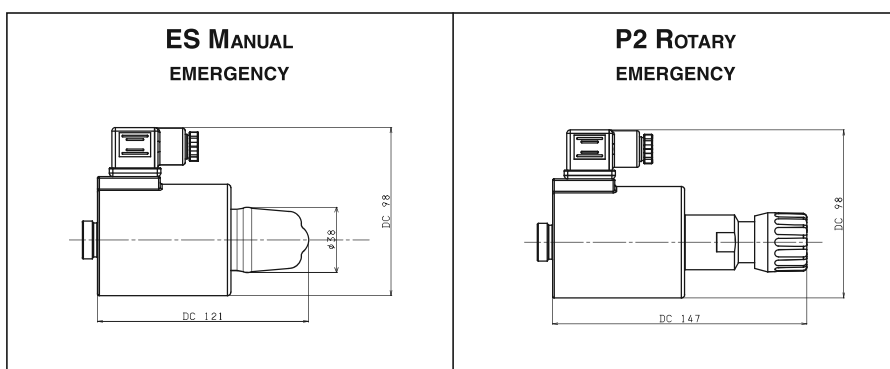
Type of protection (in relation to the connector used)	IP 65
Number of cycles	18.000/h
Supply tolerance	±10%
Ambient temperature	-30°C ÷ 60°C
Duty cycle	100% ED
Insulation class wire	H
Weight	0,9 Kg

MOUNTING COMPATIBILITY	
CETOP 5	CAP. I • 33
AD5E...	CAP. I • 36
CDL10...	CAP. I • 71
ADL106...	CAP. I • 72
A88...	CAP. IV • 33

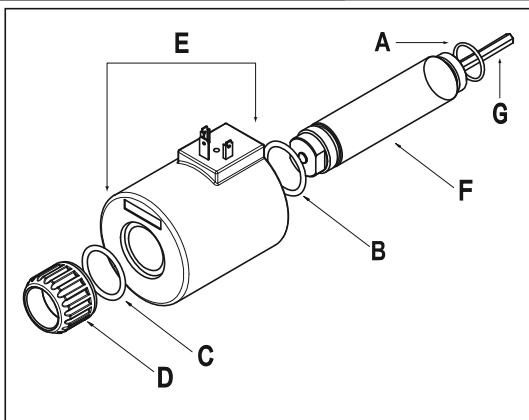
VOLTAGE (V)	MAX WINDING TEMPERATURE (AMBIENT TEMPERATURE 25°C)	RATED POWER (W)	RESISTANCE AT 20°C (OHM) ±7%
12V	106°C	45	3.2
24V	113°C	45	12.4
48V*	-	45	-
102V*(**)	-	45	-
110V*(**)	118°C	45	268
205V*(**)	-	45	-

* Special voltages

** The european low voltage directive is applied to electrical equipments used at a nominal voltages between 50 and 1000 VAC or 75 and 1500 VDC. In conformity with the low directive each part of the manifold or the subplate on which the valve is mounted should be connected to a protective earth with a resistance less than 0.1 ohms.



SPARE PARTS



E = SEE A16 COIL TABLE
A/B/C/D/F/G = SINGLE SPARE PARTS (SEE CODES TABLE)

A16 DC/45W COIL	CONNECTION
VOLTAGE	HIRSCHMANN (STANDARD)
12V (L)	M14220002
24V (M)	M14220004
48V* (N)	M14220006
102V* (Z)	M14220013
110V* (P)	M14220008
205V* (X)	M14220014
(*)SPECIAL VOLTAGES	

COMPLETE KIT	AD5E	CDL10	ADL10	A88
P2 ROTARY EMERGENCY	V89990011			-
ES MANUAL EMERGENCY	M19050002			-

CODE SPARE PARTS	A	B	C	D	E	F	G	MOUNTING POSSIBLE
	O RING			RING NUT	COIL	TUBE	HEX. PUSHROD	
AD5E ADL/CDL10	Q25830026	Q25860040	Q25860040	M37050033	SEE TABLE A15	M83160001	M74440002	C - E - F - M G - H - I - L D
							M74440003	
							M74440004	
A88							M74440006	-