

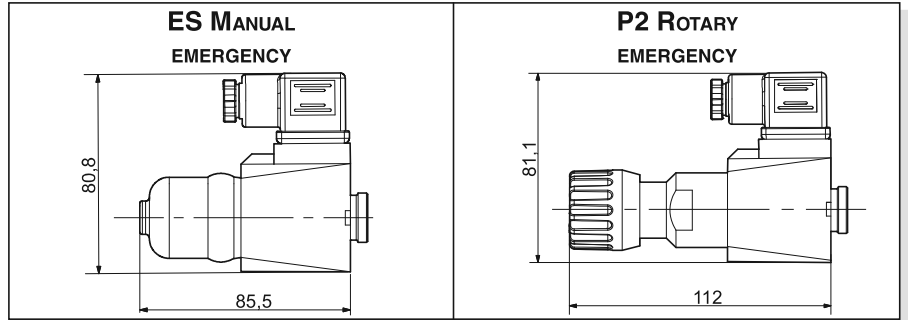


## "B14" AC SOLENOIDS FOR CETOP 3

Type of protection (in relation to the connector used)	IP 65
Number of cycles	18.000/h
Supply tolerance	+10% / -10%
Ambient temperature	-30°C ÷ 60°C
Duty cycle	100% ED
Insulation class wire	H
Weight	0,436 Kg

MOUNTING COMPATIBILITY	
<b>CETOP 3 *</b>	CAP. I • 8
<b>AD3.E... *</b>	CAP. I • 11

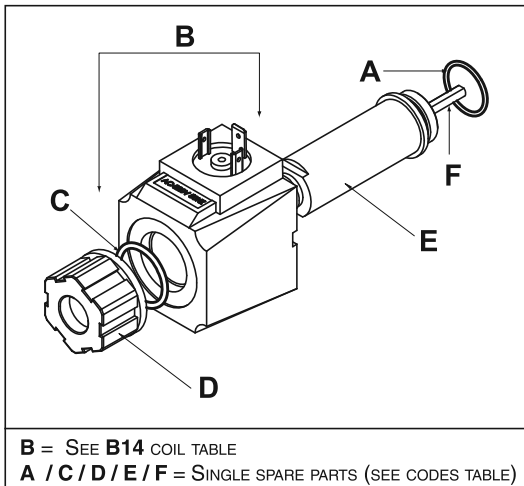
(\* ) serial No. 3 (AC voltage)



VOLTAGE (V)	MAX. WINDING TEMPERATURE (AMBIENT TEMPERATURE 25°C)	RESISTANCE AT 20°C (OHM) ±10%	RATED POWER (VA)	PICKUP CURRENT (A)
24V/50Hz - 24V/60Hz	100°C - 96°C	1.7	54 - 40	5.6 - 5
48V/50Hz - 48V/60Hz	112°C - 98°C	6.8	45 - 34	5.3 - 5
115V/50Hz - 120V/60Hz *	133°C - 101°C	32.5	61 - 51	3.2 - 3.2
230V/50Hz - 240V/60Hz *	120°C - 103°C	134	62 - 52	1.6 - 1.6

\* The european low voltage directive is applied to electronical equipments used at a nominal voltages between 50 and 1000 VAC or 75 and 1500 VDC. In conformity with the low directive each part of the manifold or the subplate on which the valve is mounted should be connected to a protective earth with a resistance less than 0.1 ohms.

## SPARE PARTS



B14 AC COIL	CONNECTION
<b>VOLTAGE</b>	HIRSCHMANN (STANDARD)
24V/50-60Hz (A)	<b>M14640003</b>
48V/50-60Hz (B)	<b>M14640007</b>
115V/50Hz (J)	<b>M14640006</b>
120V/60Hz	
230V/50Hz (Y)	<b>M14640001</b>
240V/60Hz	
COMPLETE KIT	CODE
TUBE KIT	<b>V85990011</b>
ROTARY EMERGENCY <b>P2</b>	<b>V89990021</b>
MANUAL EMERGENCY <b>ES</b>	<b>M19050001</b>

CODE SPARE PARTS	A O RING	B COIL	C O RING	D RING NUT	E TUBE	F HEX. PUSHROD	MONTAGGI POSSIBILI
AD3E*	<b>Q25830024</b>	SEE TABLE <b>B14</b>	<b>Q25860036</b>	<b>M37050041</b>	<b>M831100001</b>	<b>M74520001</b> <b>M74520002</b> <b>M74520003</b>	C - E - F - M G - H - I - L D

(\* ) serial No. 3 (AC voltage)