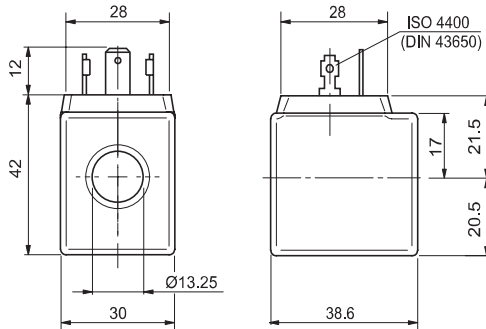


C30 - COILS 18W

Type of protection	IP 65
Number of cycle	18000/h
Supply tolerance	±10%
Ambient temperature	-30°C ÷ 60°C

Duty cycle	100% ED
Insulation class wire	H
Weight	0.141 kg

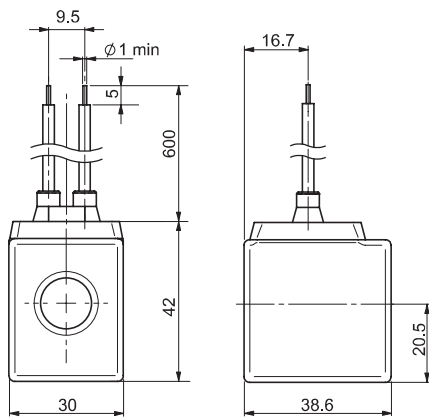
Standard (Hirschmann ISO 4400 DIN43650)



Coil		Max winding temperature (1)	Rated power	Resistance ±7% (2)	Spare code
Code	Voltage				
L	12 VDC	110 °C	18 W	7.7 Ω	M14000001
M	24 VDC	110 °C	18 W	31 Ω	M14000002
N	48 VDC	110 °C	18 W	116 Ω	M14000003
Z	21.6 VDC	110 °C	18 W	27 Ω	M14000009
Z	102 VDC (3)	110 °C	18 W	578 Ω	M14000006
X	205 VDC (3)	110 °C	18 W	2627 Ω	M14000007
A	24 VAC/50 Hz	100 °C	35 VA	5.3 Ω	M14001002
J	115 VAC/50 Hz (3)	100 °C	35 VA	108 Ω	M14001004
I	230 VAC/50 Hz (3)	100 °C	35 VA	438 Ω	M14001005
F	24 VAC/60 Hz	100 °C	35 VA	3.8 Ω	M14001012
C	110 VAC/60 Hz (3)	100 °C	35 VA	92 Ω	M14001014
D	220 VAC/60 Hz (3)	100 °C	35 VA	375 Ω	M14001015

(1) Ambient temperature 25 °C - (2) Ambient temperature 20 °C

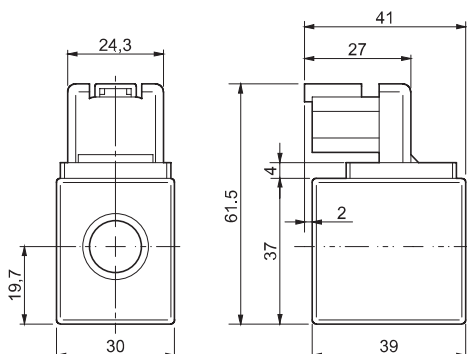
(3) The european low voltage directive is applied to electronical equipments used at a nominal voltages between 50 and 1000 VAC or 75 and 1500 VDC. In conformity with the low directive each part of the manifold or the subplate on which the valve is mounted should be connected to a protective earth with a resistance less than 0.1 ohms.



With wires (variant FK)

Coil		Max winding temperature (1)	Rated power	Resistance ±7% (2)	Spare code
Code	Voltage				
L	12 VDC	110 °C	18 W	7.7 Ω	M14000101
M	24 VDC	110 °C	18 W	31 Ω	M14000102

(1) Ambient temperature 25 °C - (2) Ambient temperature 20 °C



DEUTSCH and bidirectional integrated diode (variant CX)

Coil		Max winding temperature (1)	Rated power	Resistance ±7% (2)	Spare code
Code	Voltage				
L	12 VDC	110 °C	18 W	7.7 Ω	M14760001
M	24 VDC	110 °C	18 W	31 Ω	M14760002

(1) Ambient temperature 25 °C - (2) Ambient temperature 20 °C