

"D15" DC COILS FOR CETOP 3

Type of protection (in relation to the connector used)	IP 66
Number of cycles	18.000/h
Supply tolerance	±10%
Ambient temperature	-25°C ÷ 60°C
Duty cycle	100% ED
Insulation class wire	H
Weight	0,354 Kg

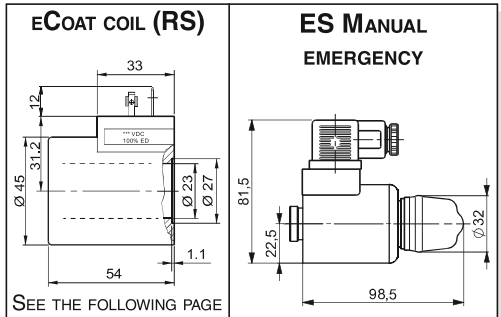
MOUNTING COMPATIBILITY

CETOP 3	CAP. I • 8
AD3E...	CAP. I • 11
AD3V...	CAP. I • 14
ADL06...	CAP. I • 69
A66...	CAP. IV • 19

VOLTAGE (V)	MAX WINDING TEMPERATURE (AMBIENT TEMPERATURE 25°C)	RATED POWER (W)	RESISTANCE AT 20°C (OHM) ±10%
12V	110°C	30	4.8
24V	110°C	30	18.8
28V*	110°C	30	25.6
48V*	110°C	30	75.2
102V*(**)	110°C	30	340
110V*(**)	110°C	30	387
205V*(**)	110°C	30	1375

* Special voltages

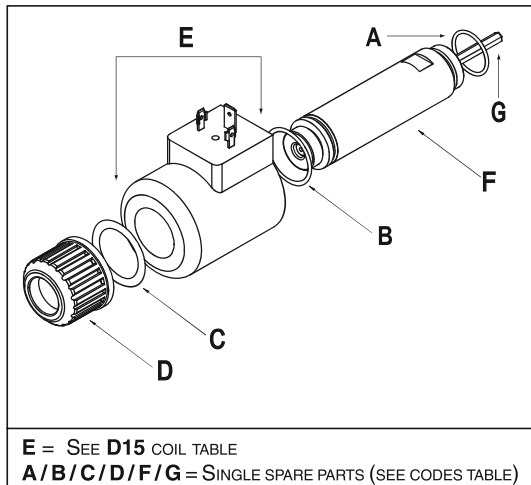
** The european low voltage directive is applied to electrical equipments used at a nominal voltages between 50 and 1000 VAC or 75 and 1500 VDC. In conformity with the low directive each part of the manifold or the subplate on which the valve is mounted should be connected to a protective earth with a resistance less than 0.1 ohms.



SEE THE FOLLOWING PAGE

FLYING LEADS (SL)	AMP JUNIOR (AJ) AJ + DIODE (AD)	DEUTSCH DT04 - 2P (CZ) CZ + eCOAT (R6)	P2 ROTARY EMERGENCY	R5 ROTARY EMERGENCY 180°

SPARE PARTS



E = SEE D15 COIL TABLE
A/B/C/D/F/G = SINGLE SPARE PARTS (SEE CODES TABLE)

VOLTAGE	D15 DC - 30W COIL					CONNECTIONS				
	HIRSCHMANN (STANDARD) (00)	AMP JUNIOR (AJ)	AMP JUNIOR + DIODE (AD)	FLYING LEADS (175) (SL)	DEUTSCH (CZ)					
12V (L)	M14450002	M14460002	M14470002	M14480002	M14490002					
24V (M)	M14450004	M14460004	M14470004	M14480004	-					
28V* (V)	M14450005									
48V* (N)	M14450006									
102V* (Z)	M14450018									
110V* (P)	M14450008									
205V* (X)	M14450019									

(*)SPECIAL VOLTAGES

COMPLETE KIT	AD3E	CD3	ADL06	AD3V	A66
COMPLETE SOLENOID'S TUBE	V85990003				
P2 ROTARY EMERGENCY	V89990010				-
R5 ROTARY EMERGENCY 180°	V15050097		-		
ES MANUAL EMERGENCY	M19050004				

CODE SPARE PARTS	A	B	C	D	E	F	G	MOUNTING AVAILABLES
AD3E CD3 AD3V ADL06	Q25830024	Q25860033	Q25830185	M37050030	SEE TABLE D15	M83130001	M74470001 M74470002 M74470003	C - E - F - M G - H - I - L D
A66							M74470004	-