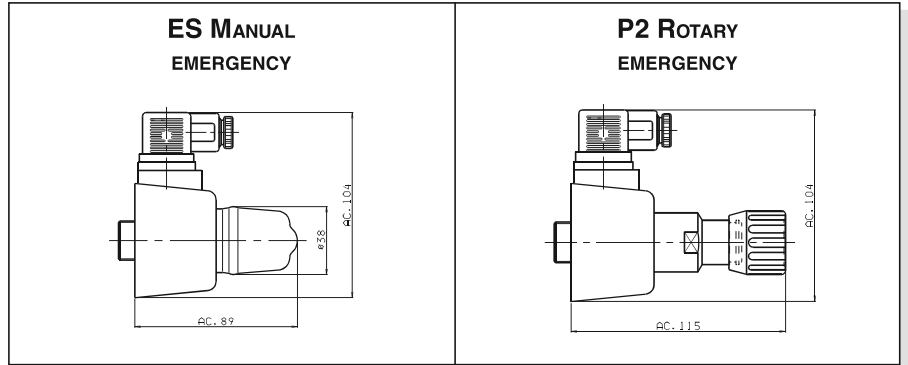




"K16" AC SOLENOIDS FOR CETOP 5

Type of protection (in relation to the connector used)	IP 66
Number of cycles	18.000/h
Supply tolerance	+10% / -10%
Ambient temperature	-54°C ÷ 60°C
Duty cycle	100% ED
Max. pressure static	210 bar
Insulation class wire	H
Weight	0,8 Kg

MOUNTING COMPATIBILITY	
CETOP 5	CAP. I • 33
AD5.E...	CAP. I • 36

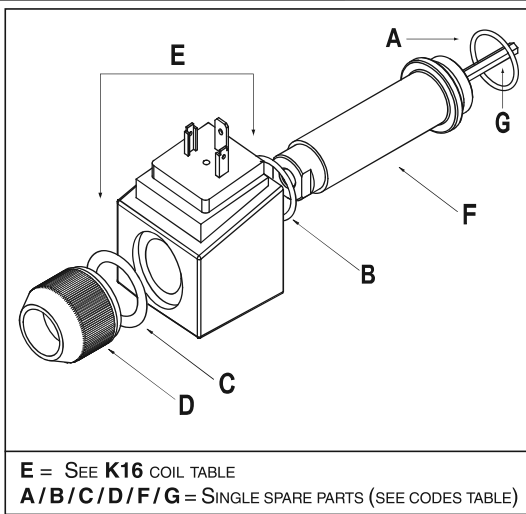


VOLTAGE (V)	MAX. WINDING TEMPERATURE (AMBIENT TEMPERATURE 25°C)	RATED POWER (VA)	IN RUSH CURRENT (VA)	RESISTANCE AT 20°C (OHM) ±10%
24V/50Hz	134°C	124	454	0.56
24V/60Hz*	115°C	103.5	440	0.55
48V/50Hz*	134°C	113	453	2.10
115V/50Hz-120V/60Hz(**)(**)	121°C - 138°C	121-101	471-487	10.8
230V/50Hz-240V/60Hz(**)(**)	121°C - 138°C	120-101	478-485	43.0
240V/50Hz(**)(**)	134°C	120	456	47.39

* Special voltage

** The european low voltage directive is applied to electrical equipments used at a nominal voltages between 50 and 1000 VAC or 75 and 1500 VDC. In conformity with the low directive each part of the manifold or the subplate on which the valve is mounted should be connected to a protective earth with a resistance less than 0.1 ohms.

SPARE PARTS



K16 AC COIL	CONNECTION
VOLTAGE	HIRSCHMANN (STANDARD)
24V/50Hz (A)	M14300010
24V/60Hz* (F)	M14300012
48V/50Hz* (B)	M14300014
115V/50Hz (J) 120V/60Hz	M14300029
230V/50Hz (Y) 240V/60Hz	M14300027
240V/50Hz* (E)	M14300025
(*)SPECIAL VOLTAGES	

COMPLETE KIT	AD5E
P2 ROTARY EMERGENCY	V89990002
ES MANUAL EMERGENCY	M19050002

12

CODE SPARE PARTS	A	B	C	D	E	F	G	MOUNTING AVAILABLES
	O RING			RING NUT	COIL	TUBE	HEX. PUSHROD	
AD5E	Q25830026	Q25860026	Q25830187	M37050005	SEE TABLE K15	M83300000	M74210000 M74160000 M74700000	C - E - F - M G - H - I - L D