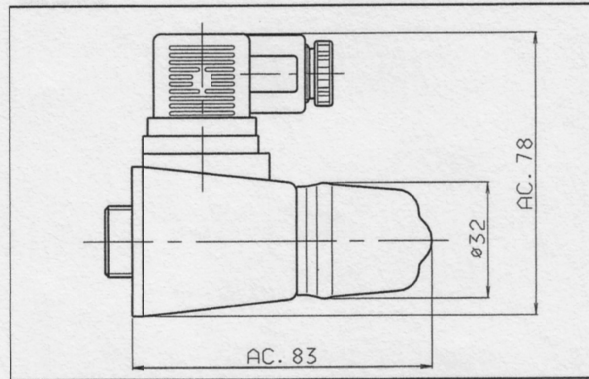


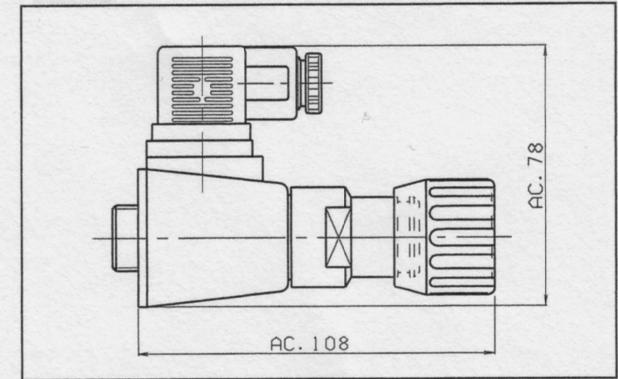
"K12" AC SOLENOIDS FOR CETOP 3



MANUAL EMERGENCY (E1)



ROTARY EMERGENCY (P1)



Type of protection (in relation to the connector used)	IP 66
Number of cycles	18.000/h
Supply tolerance	+10% / -10%
Ambient temperature	-54°C ÷ 60°C
Duty cycle	100% ED
Max. static pressure	210 bar
Insulation class	H
Weight	0,4 Kg

VOLTAGE (V)	MAX. WINDING TEMPERATURE (AMBIENT TEMPERATURE 25°C)	RATED POWER (VA)	IN RUSH CURRENT (VA)	RESISTANCE AT 20°C (OHM) ±10%
24V/50Hz	100°C	57	230	1.96
24V/60Hz*	125°C	63	252	1.43
48V/50Hz*	140°C	66	205	6.85
115V/50Hz - 120V/60Hz	125°C - 105°C	52 - 47	230 - 222	49
230V/50Hz - 240V/60Hz	125°C - 105°C	55 - 48	241 - 221	186
240V/50Hz*	137°C	79	204	145

* SPECIAL VOLTAGES

ETK12 - 02/2000/e