

Logic element, flow and pressure control
with external pilot
Common cavity, Size 10

VLST-10A

04.84.01 - X - 85 - Z

RE 18321-60

Edition: 09.2016

Replaces: 03.2016

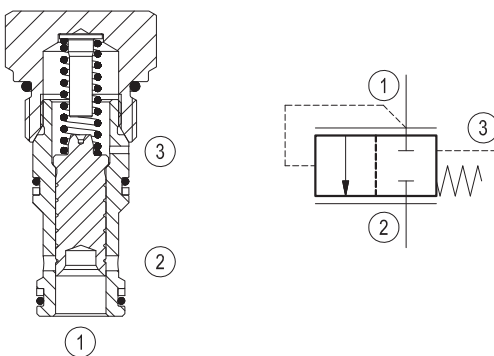


Technical data	
Max. operating pressure	350 bar (5000 psi)
Max. flow	60 l/min (16 gpm)
Max. internal leakage ¹⁾	50 cm ³ /min. (3 cu.in./min.)
Fluid temperature range	-30 to 100 °C (-22 to 212 °F)
Installation torque	41 - 47 Nm (30 - 35 ft-lbs)
Weight ²⁾	0.12 kg (0.27 lbs)
Cavity	CA-10A-3C (see data sheet 18325-70)
Lines bodies and standard assemblies	Please refer to section "Hydraulic integrated circuit" or consult factory
Seal kit ³⁾	Code: RG10A9010520100 material no: R901111367
Fluids	Mineral-based or synthetics with lubricating properties at viscosities of 10 to 500 mm ² /s (cSt)
Recommended degree of fluid contamination	Nominal value max. 10µm (NAS 8) / ISO 4406 19/17/14
Installation position	No restrictions
Other Technical Data	See data sheet 18350-50

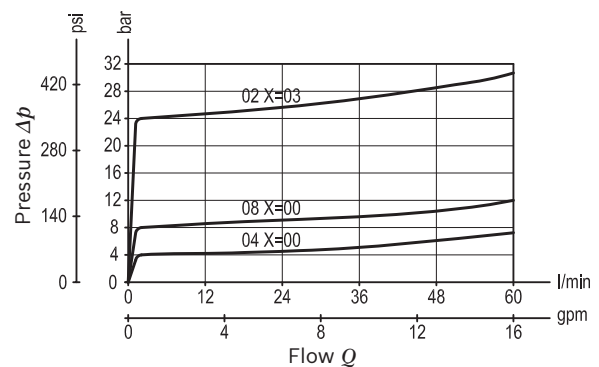
Description

When pressure at 1 rises above the selected spring bias pressure against the spool, the valve shifts to allow flow from 1 to 2. Pilot pressure at 3 is additive to the spring bias pressure. The valve may be used in switching or compensation type applications.

- 1) Measured at 200 bar (2900 psi)
- 2) Standard version X=00 type
- 3) Only external seals for 10 valves



Characteristic curve



Ordering code

04.84.01	X	85	Z	00	*
-----------------	----------	-----------	----------	-----------	----------

Logic element, flow and pressure control, with external pilot

Series O/A to L unchanged performances and dimensions

Version and options standard

Adjustments

- 00** Fixed setting
- 03** Leakproof hex. socket screw

85 Common cavity, Size 10

		SPRINGS		
		Std. setting bar (psi)	Pressure increase bar/turn (psi/turn)	Bias spring bar (psi)
for X= 00	04	-	-	4 (60) ± 20%
	08	-	-	8 (115) ± 15%
	14	-	-	14 (200) ± 15%
	17	-	-	17 (250) ± 15%
for X= 03	00	4 (60)	1 (15)	2-8 (30-115)
	02 *	20 (290)	5 (73)	6-24 (87-348)

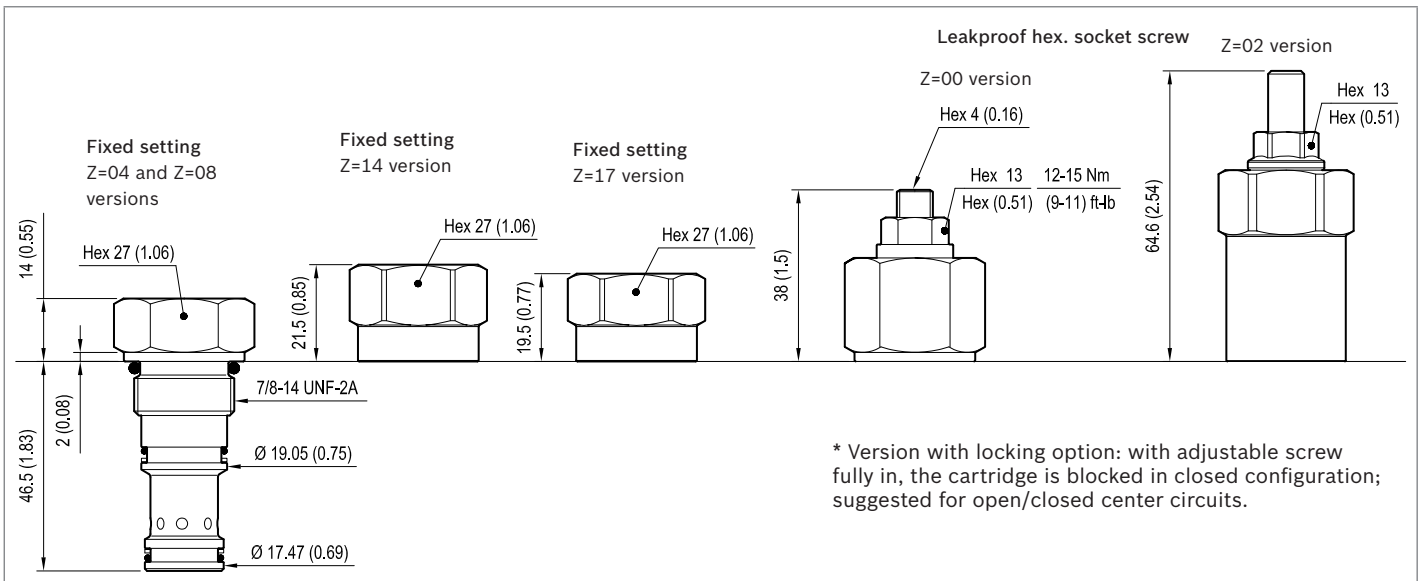
Note: Special settings available. Contact factory authorized representative for ordering code.

Preferred types

Type	Material number
04840100850400A	R930008403
04840100850800A	R930008404
04840100851400A	R930008405
04840100851700A	R930008406

Type	Material number
04840103850000A	R930008407
048401038502000	R930058309

Dimensions



Bosch Rexroth Oil Control S.p.A.

Via Leonardo da Vinci 5
 P.O. Box no. 5
 41015 Nonantola – Modena, Italy
 Tel. +39 059 887 611
 Fax +39 059 547 848
 compact-hydraulics-cv@boschrexroth.com
 www.boschrexroth.com/compacthydraulics

© This document, as well as the data, specifications and other information set forth in it, are the exclusive property of Bosch Rexroth Oil Control S.p.a.. It may not be reproduced or given to third parties without its consent. The data specified above only serve to describe the product. No statements concerning a certain condition or suitability for a certain application can be derived from our information. The information given does not release the user from the obligation of own judgment and verification. It must be remembered that our products are subject to a natural process of wear and aging. Subject to change.