

# Relief, pilot operated spool type

## Common cavity, Size 10

VSPN-10A

04.12.08 - X - 85 - Z

**RE 18318-08**

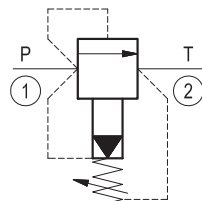
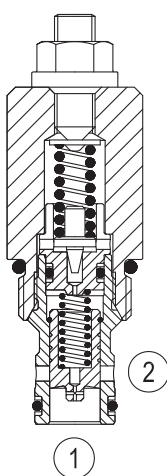
Edition: 03.2016

Replaces: 11.2015



### Description

Flow is blocked from 1 to 2 until pressure increases to meet the selected valve setting, lifting the conical, pilot-stage poppet from its seat. This action exhausts oil above the main-stage piston (spool type), allowing it to shift and provide relief flow through 2 to tank. Pressure at 2 is additive to the relief setting of the valve.

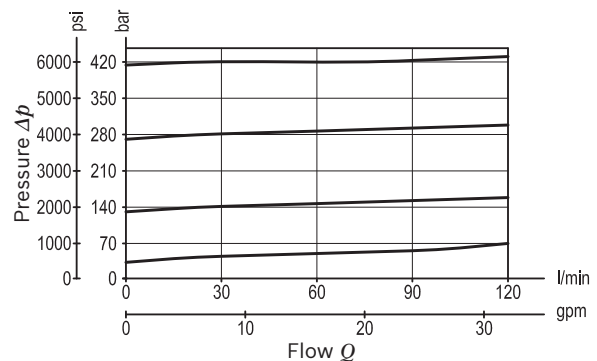


### Technical data

Max. operating pressure port 1 (P)	420 bar (6000 psi)
Max. pressure admitted port 2 (T)	350 bar (5000 psi) for version 03 210 bar (3000 psi) for version 04
Flow range	3 - 120 l/min (1 - 32 gpm)
Max. internal leakage <sup>1)</sup>	200 cm <sup>3</sup> /min. (12 cu.in./min.)
Fluid temperature range	-30 to 100 °C (-22 to 212 °F)
Installation torque	41 - 47 Nm (30 - 35 ft-lbs)
Weight <sup>2)</sup>	0.21 kg (0.46 lbs)
Cavity	CA-10A-2N (see data sheet 18325-70)
Lines bodies and standard assemblies	Please refer to section "Hydraulic integrated circuit" or consult factory
MTTFd	150 years see data sheet 18350-51
Seal kit <sup>3)</sup>	Code: RG10A2010530100 material no: R901111366
Fluids	Mineral-based or synthetics with lubricating properties at viscosities of 10 to 500 mm <sup>2</sup> /s (cSt)
Recommended degree of fluid contamination	Nominal value max. 10µm (NAS 8) / ISO 4406 19/17/14
Installation position	No restrictions
Other Technical Data	See data sheet 18350-50

- 1) Measured at 200 bar (2900 psi)
- 2) Standard version X=03 type
- 3) Only external seals for 10 valves

### Characteristic curve



**Ordering code**

<b>04.12.08</b>	<b>X</b>	<b>85</b>	<b>Z</b>	<b>00</b>	<b>*</b>
-----------------	----------	-----------	----------	-----------	----------

Relief, pilot operated spool type

Adjustments

**03** Leakproof hex. socket screw

**04** Handknob and locknut

**85** Common cavity, Size 10

Series 0/A to L  
unchanged performances and dimensions

Version and options standard

		SPRINGS		
		Adj. press. range bar (psi)	Pressure increase bar/turn (psi/turn)	Std. setting bar (psi) Q=5 l/min
for X= 03	<b>10</b>	35-140 (500-2000)	48 (696)	100 (1450)
	<b>20</b>	70-280 (1000-4000)	88 (1276)	200 (2900)
	<b>35</b>	140-420 (2000-6000)	140 (2030)	350 (5000)
for X= 04	<b>35</b>	35-350 (500-5000)	68 (986)	350 (5000)

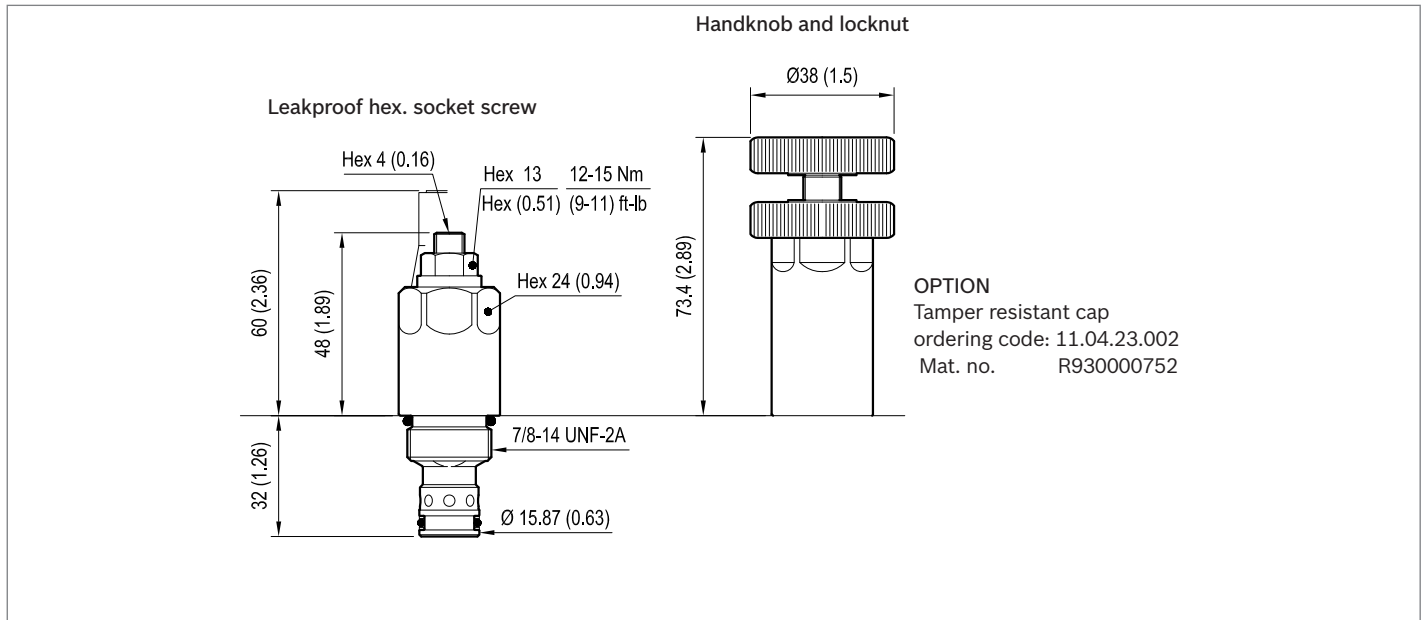
Note: Special settings available. Contact factory authorized representative for ordering code.

**Preferred types**

Type	Material number
041208038510000	R901097726
041208038520000	R901097722
041208038535000	R901104103
041208048535000	R901104104

Type	Material number

**Dimensions**



**Bosch Rexroth Oil Control S.p.A.**

Via Leonardo da Vinci 5  
P.O. Box no. 5  
41015 Nonantola – Modena, Italy  
Tel. +39 059 887 611  
Fax +39 059 547 848  
compact-hydraulics-cv@boschrexroth.com  
www.boschrexroth.com/compacthydraulics

© This document, as well as the data, specifications and other information set forth in it, are the exclusive property of Bosch Rexroth Oil Control S.p.a.. It may not be reproduced or given to third parties without its consent. The data specified above only serve to describe the product. No statements concerning a certain condition or suitability for a certain application can be derived from our information. The information given does not release the user from the obligation of own judgment and verification. It must be remembered that our products are subject to a natural process of wear and aging. Subject to change.