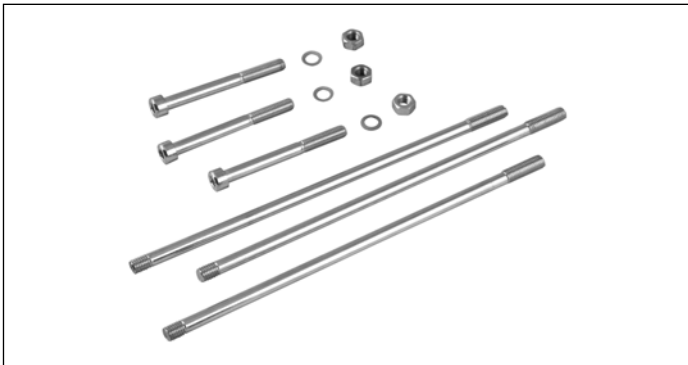


EDG fixation elements

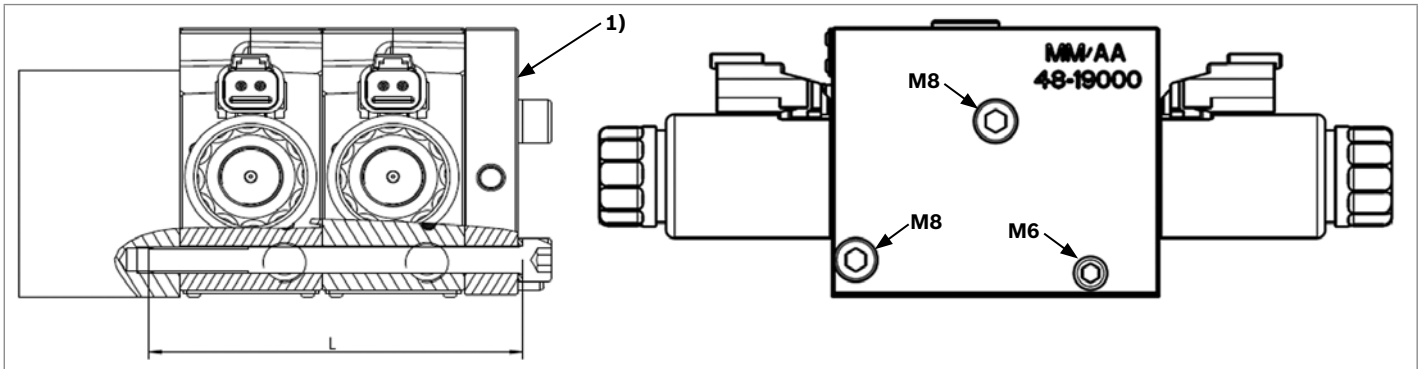
RE 18301-92
Edition: 01.2021



Contents

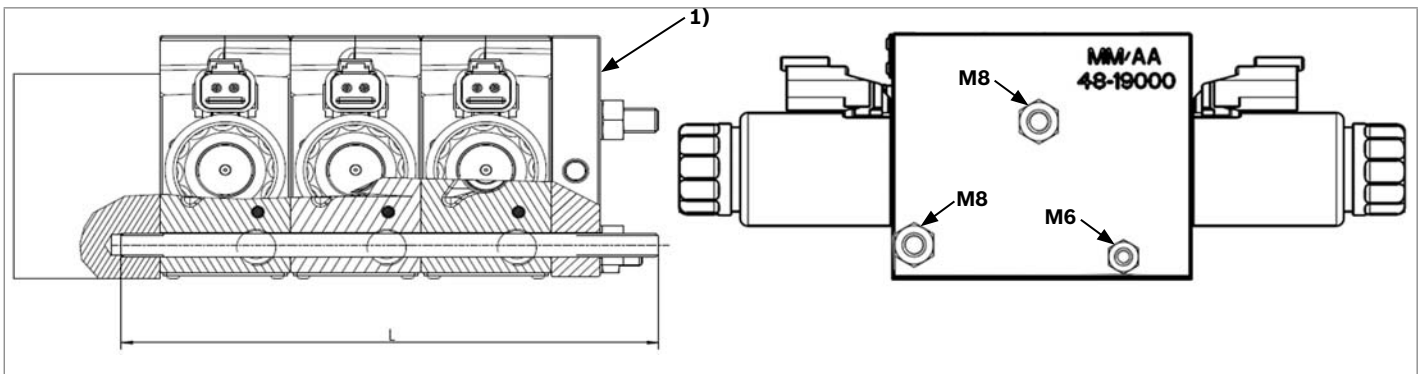
Assembly of directional elements	2
Tie-rod kits	3

Assembly of directional elements



For 1 or 2 elements,
the assembly kit is composed by 3 screws and 3 washers

1) TCG 48-19000 Closing Plate



For 3 or more elements,
the assembly kit is composed by 3 tie-rods, 3 washers and 3 nuts

1) TCG 48-19000 Closing Plate

Tie rod kits

Total flangeable elements	Screw or tie-rod length L mm	Type	Tightening torque for tie rod/screw on entry plate Nm	Tightening torque for locking nut Nm	Tie-rod kit Reference code	Tie-rod kit Material Number
1	65	M8 screw	17-18	--	K-2301	R930076774
		M6 screw	11,7 - 14,3	--		
2	105	M8 screw	17-18	--	K-2302	R930076778
		M6 screw	11,7 - 14,3	--		
3	160	M8 tie-rod	20-22	17-18	K-2303	R930076773
		M6 tie-rod	14,4-17,6	11,7 - 14,3		
4	200	M8 tie-rod	20-22	17-18	K-2304	R930076770
		M6 tie-rod	14,4-17,6	11,7 - 14,3		
5	240	M8 tie-rod	20-22	17-18	K-2305	R930076771
		M6 tie-rod	14,4-17,6	11,7 - 14,3		
6	280	M8 tie-rod	20-22	17-18	K-2306	R930076772
		M6 tie-rod	14,4-17,6	11,7 - 14,3		
7	320	M8 tie-rod	20-22	17-18	K-2307	R930078432
		M6 tie-rod	14,4-17,6	11,7 - 14,3		
8	360	M8 tie-rod	20-22	17-18	K-2308	R930078433
		M6 tie-rod	14,4-17,6	11,7 - 14,3		
9	400	M8 tie-rod	20-22	17-18	K-2309	R930078434
		M6 tie-rod	14,4-17,6	11,7 - 14,3		
10	440	M8 tie-rod	20-22	17-18	K-2310	R930078435
		M6 tie-rod	14,4-17,6	11,7 - 14,3		

Note

Valid only for assembled blocks with standard TCG 48-19000 closing plate.

Bore on entry plate thread depth **min. 12mm.**

Each kit includes 2xM8 and 1xM6 Tie rods/Screws.

Each kit includes Washers and Nuts

Item	Dimension	Material Number	Number of pcs per kit
Washer	M8	R930040520	2
	M6	R932007890	1
Nut (from K-2303 to K2310)	M8	R930050069	2
	M6	R913016627	1

Bosch Rexroth Oil Control S.p.A.

Oleodinamica LC Division
Via Artigianale Sedrio, 12
42030 Vezzano sul Crostolo
Reggio Emilia - Italy
Tel. +39 0522 601 801
Fax +39 0522 606 226 / 601 802
compact-hydraulics-cdv@boschrexroth.com
www.boschrexroth.com/compacthydraulics

© This document, as well as the data, specifications and other information set forth in it, are the exclusive property of Bosch Rexroth Oil Control S.p.a.. It may not be reproduced or given to third parties without its consent. The data specified above only serve to describe the product. No statements concerning a certain condition or suitability for a certain application can be derived from our information. The information given does not release the user from the obligation of own judgment and verification. It must be remembered that our products are subject to a natural process of wear and aging.
Subject to change.