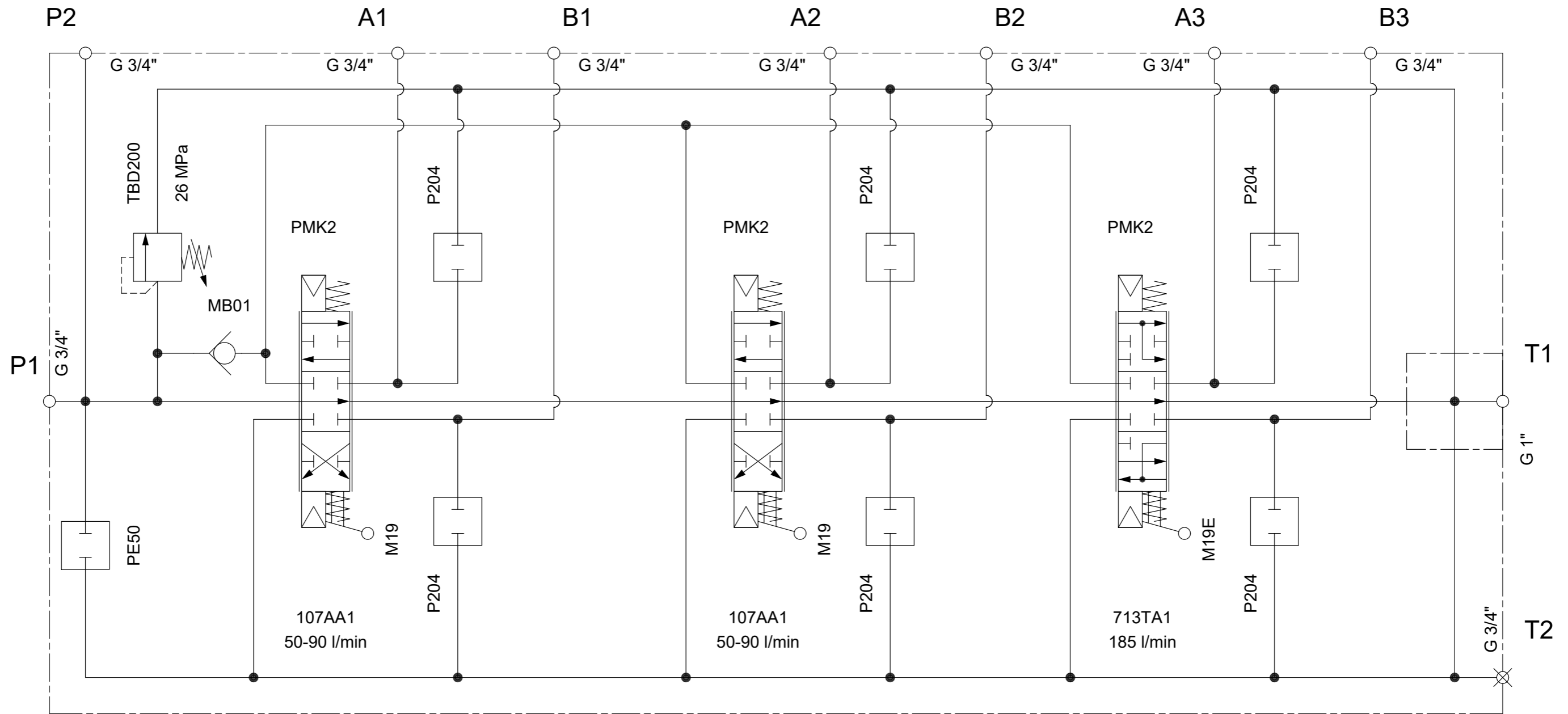



Rev	Date	Drawn	Checked	Description
-----	------	-------	---------	-------------



Customer :	This document is confidential and may not be copied nor disclosed to a third party without written consent.				
Date : 2024-03-19	Drawn by : johol				
Date :	Checked by :				
Material :	Weight :				
Paper Size : A3	Page : 1	Status	Project number	Drawing Number	
Scale :	Pages : 1		8771120000		

Bronsgjutaregatan 2
238 41 Oxie