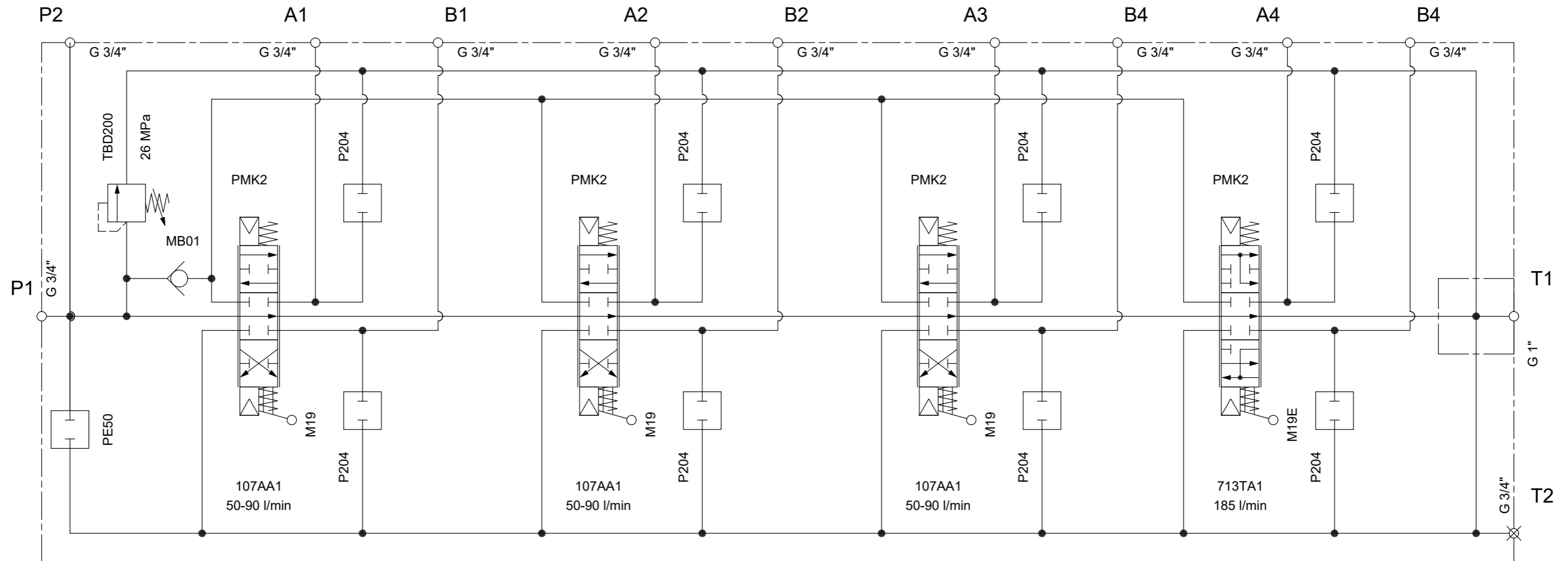



Rev	Date	Drawn	Checked	Description
-----	------	-------	---------	-------------



Customer :		This document is confidential and may not be copied nor disclosed to a third party without written consent.			
Date : 2024-03-19		Drawn by : johol		 Bronsgjutaregatan 2 238 41 Oxie	
Date :		Checked by :			
Material :		Weight :			
Paper Size : A3	Page : 1	Status	Project number	Drawing Number	
Scale :	Pages : 1		8771112000		