

RE 18320-01/01.10

1/2

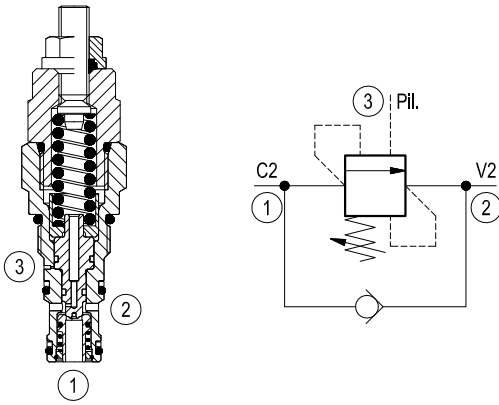
Replaces: RE 00162-02/01.06

Counterbalance, standard guided poppet type

Common cavity, Size 08

VBSN-08AA

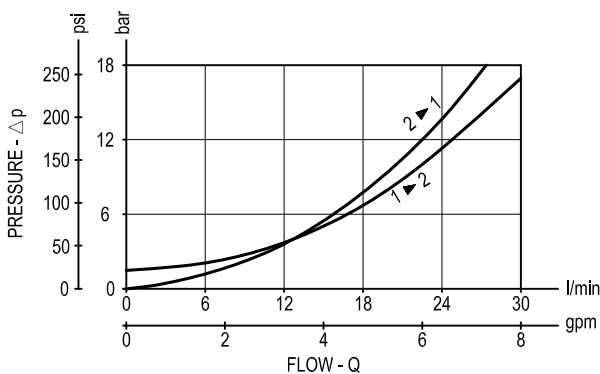
04.52.20 - X - 56 - Z



Description

When pressure at 2 rises above the spring bias pressure, the check seat is pushed away from the piston and flow is allowed from 2 to 1. When load pressure at 1 rises above the pressure setting, the direct-acting, relief function is activated and flow is relieved from 1 to 2. With pilot pressure at 3, the pressure setting is reduced in proportion to the stated ratio of the valve, until fully open with free-flow from 1 to 2. The spring chamber is drained to 2, and any back-pressure at 2 is additive to the pressure setting in all functions.

Performance



Technical data

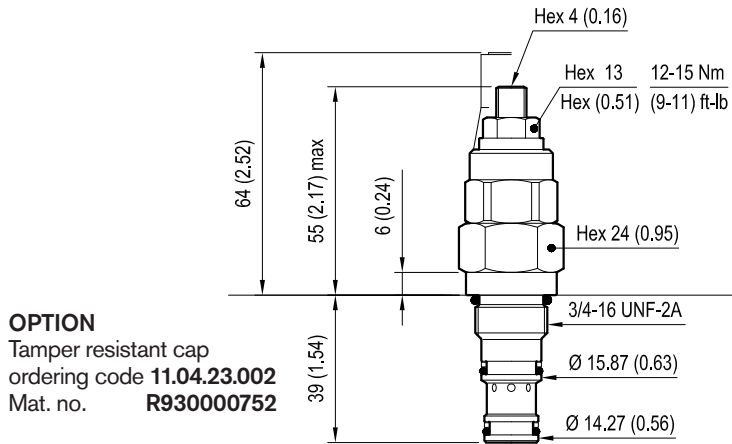
Max. operating pressure	bar (psi)	350 (5000)
Max. flow	l/min. (gpm)	30 (8)
Max. internal leakage (*)	drops/min.	15
Fluid temperature range	°C (°F)	-30 to 100 (-22 to 212)
Installation torque	Nm (ft-lbs)	34-41 (25-30)
Weight	kg (lbs)	0.18 (0.4)
Cavity		CA-08A-3C see data sheet RE 18325-70
Line bodies		See data sheet RE 18325-85
Seal kit (**)	code material no.	RG08A9010520100 R901101592
Fluids		Mineral-based or synthetics with lubricating properties at viscosities of 10 to 500 mm ² /s (cSt)
Filtration		Nominal value max. 10µm (NAS 8) ISO 4406 19/17/14
Installation		No restrictions
Other Technical Data		See data sheet RE 18350-50

Pressure setting: at least 1.3 times the load induced pressure.

(*) At 70% of pressure setting

(**) Only external seals for 10 valves

Dimensions



OPTION
 Tamper resistant cap
 ordering code **11.04.23.002**
 Mat. no. **R930000752**

[mm (Inches)]

Ordering code

04.52.20	X	56	Z	00	*
-----------------	----------	-----------	----------	-----------	----------

Counterbalance, standard guided poppet type

Pilot ratio

= 03 4:1
 = 33 4:1 With sealed pilot (for Z=20 only)

Common cavity, Size 08

Series 0/A to L
 unchanged performances and dimensions

Version and options standard

	SPRINGS		
	Adj. press. range bar (psi)	Pressure increase bar/turn (psi/turn)	Std. setting bar (psi) Q=5 l/min
= 15	70-150 (1000-2200)	72.5 (1051)	150 (2200)
= 20	100-210 (1450-3000)	109 (1581)	200 (2900)
= 35	200-350 (2900-5000)	137 (1987)	350 (5000)

Note: Special settings available. Contact factory authorized representative for ordering code

Type	Material number
045220035615000	R901161990
045220035620000	R901095960
045220035635000	R901095961
045220335620000	R930000761

Type	Material number