

Coils and accessories

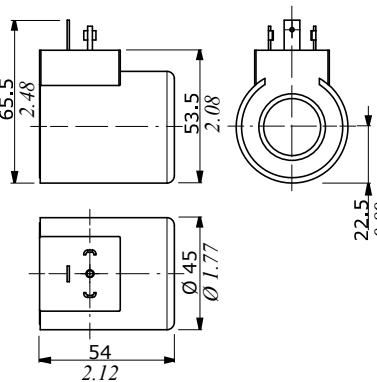
Type	Voltage	Ordering codes					Flying leads without connector
		ISO4400	Deutsch DT	AMP JPT	Packard Weatherpack	Packard Metri-pack	
D15	12 VDC	4SOL515012	4SOL515011 ⁽²⁾ 4SOL515014A ⁽³⁻⁶⁾	4SOL515016 ⁽⁵⁾	-	-	-
	14 VDC	-	4SOL515014B ⁽³⁻⁶⁾	4SOL515016A ⁽⁵⁾	-	-	-
	24 VDC	4SOL515024	4SOL515025A ⁽³⁻⁶⁾ 4SOL515021 ⁽²⁾	-	-	-	-
	48 VDC	4SOL515048	-	4SOL515049 ⁽²⁾	-	-	-
	98 VDC	4SOL515098	-	-	-	-	-
	110 VDC	4SOL515110	-	-	-	-	-
Mating connectors							
		4CN1009995	5CON140031	5CON003	-	-	-

Notes: ⁽¹⁾ supply with AC and use only with rectifier connector - ⁽²⁾ with flying leads - ⁽³⁾ with bidirectional diode - ⁽⁴⁾ with unidirectional diode - ⁽⁵⁾ integrated perpendicular type - ⁽⁶⁾ integrated parallel type

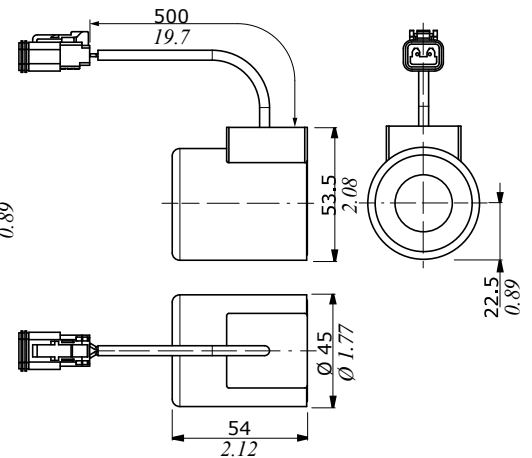
Features

- Nominal voltage tolerance: ±10%
- Nominal power.....: 38 W
- 12/14/24/48/98/110 VDC
- Nominal current.....: 3.16 A @ 12 VDC
- : 2.9 A @ 14 VDC
- : 1.58 A @ 24 VDC
- : 0.79 A @ 48 VDC
- : 0.41 A @ 98 VDC
- : 0.35 A @ 110 VDC
- Insulation.....: Class H (180°C - 356°F)
- Weather protection.....: IP65 - ISO4400
- : IP69K - Deutsch DT
- : IP65 - AMP JPT
- Insertion.....: 100%

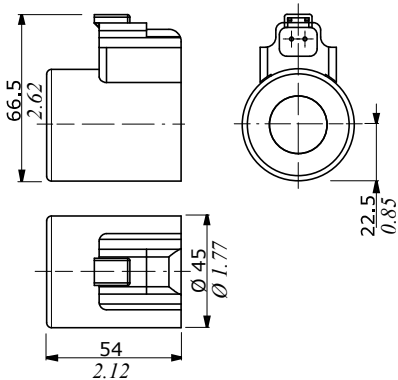
ISO4400 connector



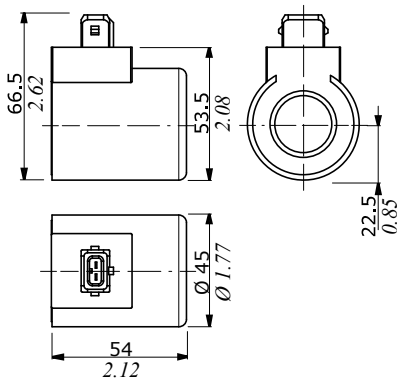
Flying leads with DEUTSCH DT04 connector



DEUTSCH DT04 connector
(Parallel type)



AMP JPT connector
(Perpendicular type)



Flying leads with AMP JPT connector

