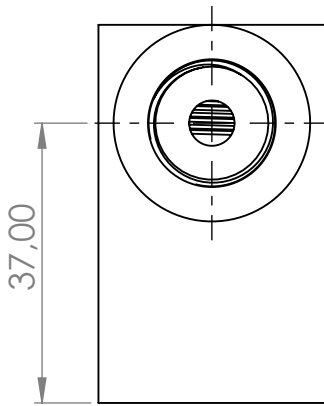
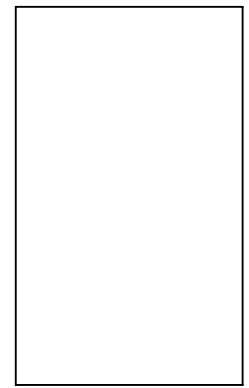
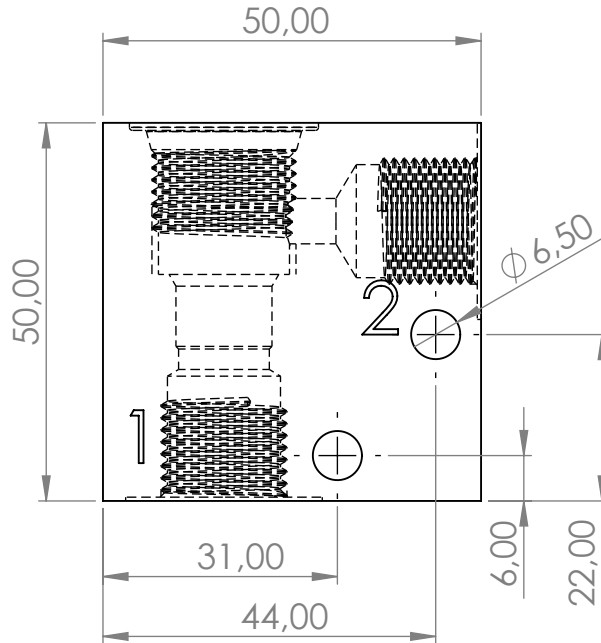


16,00

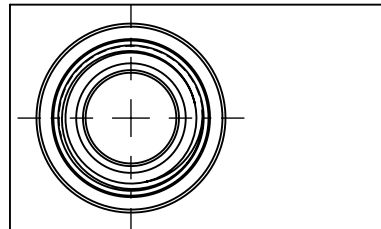
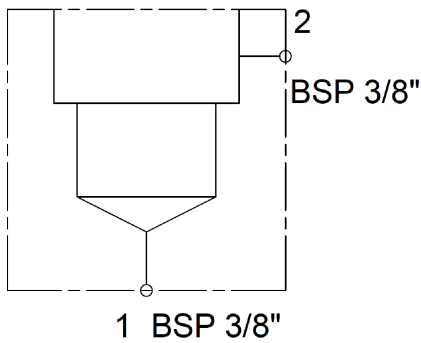


37,00

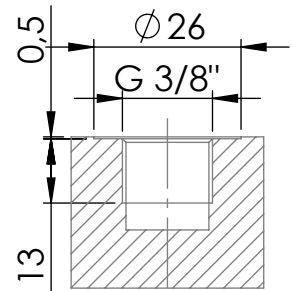


30,00

CA-08A-2N



BSP 3/8"



UNLESS OTHERWISE SPECIFIED:  
DIMENSIONS ARE IN MILLIMETERS  
SURFACE FINISH:  
TOLERANCES:  
LINEAR:  
ANGULAR:

FINISH:

Elförzinkad

DEBURR AND  
BREAK SHARP  
EDGES

**AMAB**  
Hydraul

Bronsgjutaregatan 2  
SE-238 41 Oxie  
+46 (040) 615 50 00  
www.amabhydraul.se

NAME	SIGNATURE	DATE			
DRAWN					
CHK'D					
APPV'D					
MFG					
Q.A					
			MATERIAL:		
			Stål		
			WEIGHT: 0,45 kg		

TITLE:

Ventilhus CA-08A-02N  
G 3/8" stål elförz.

DWG NO.

8060010265-00

A4

SCALE:1:1

SHEET 1 OF 1