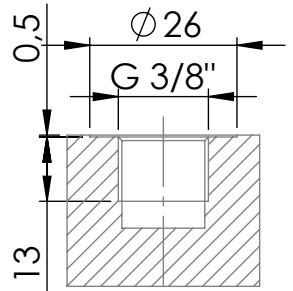
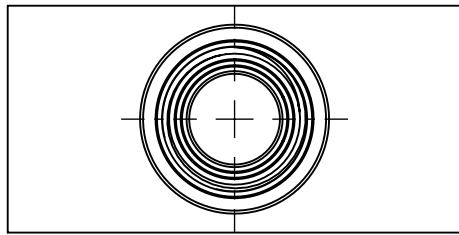
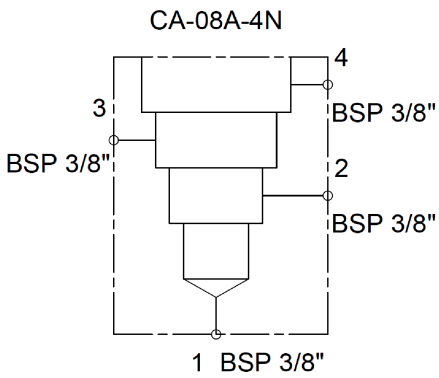


33,00
61,00
Ø 6,50

10,00 40,00 10,00 30,00



UNLESS OTHERWISE SPECIFIED:
DIMENSIONS ARE IN MILLIMETERS
SURFACE FINISH:
TOLERANCES:
LINEAR:
ANGULAR:

FINISH:

Elförzinkad

DEBURR AND
BREAK SHARP
EDGES

AMAB
Hydraul

Bronsgjutaregatan 2
SE-238 41 Oxie
+46 (040) 615 50 00
www.amabhydraul.se

NAME	SIGNATURE	DATE			
DRAWN					
CHK'D					
APPV'D					
MFG					
Q.A					
			MATERIAL: Stål		
			WEIGHT: 0,81 kg		

TITLE:

Ventilhus CA-08A-4N
G 3/8" stål elförz.

DWG NO.

8060010267-00

A4

SCALE:1:1

SHEET 1 OF 1