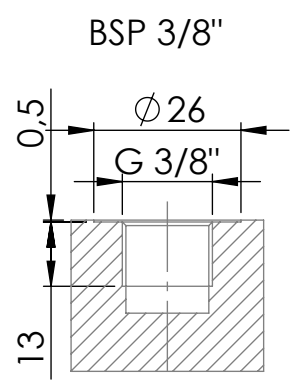
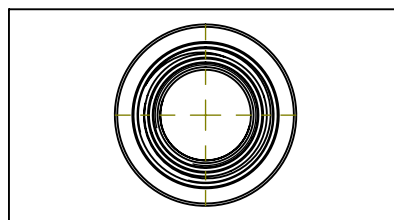
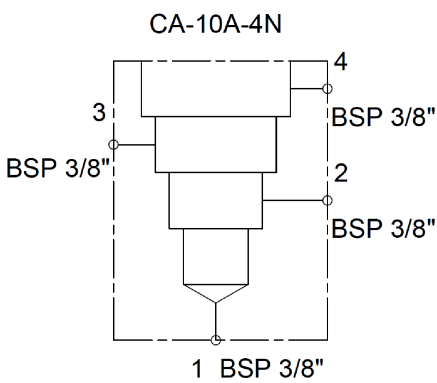


30,00
62,00
65,00
7,50
50,00
7,50
10,00
45,00
35,00
 $\phi 6,50$



UNLESS OTHERWISE SPECIFIED:
DIMENSIONS ARE IN MILLIMETERS
SURFACE FINISH:
TOLERANCES:
LINEAR:
ANGULAR:

FINISH:
Elförzinkad

DEBURR AND
BREAK SHARP
EDGES

AMAB
Hydraul

Bronsgjutaregatan 2
SE-238 41 Oxie
+46 (040) 615 50 00
www.amabhydraul.se

NAME	SIGNATURE	DATE			
DRAWN					
CHK'D					
APPV'D					
MFG					
Q.A					
			MATERIAL: Stål		
			WEIGHT: 1,15 kg		

TITLE:
**Ventilhus CA-10A-4N
G 3/8" stål elförz.**

DWG NO.
8060010270-00

A4

SCALE: 1:1.25

SHEET 1 OF 1