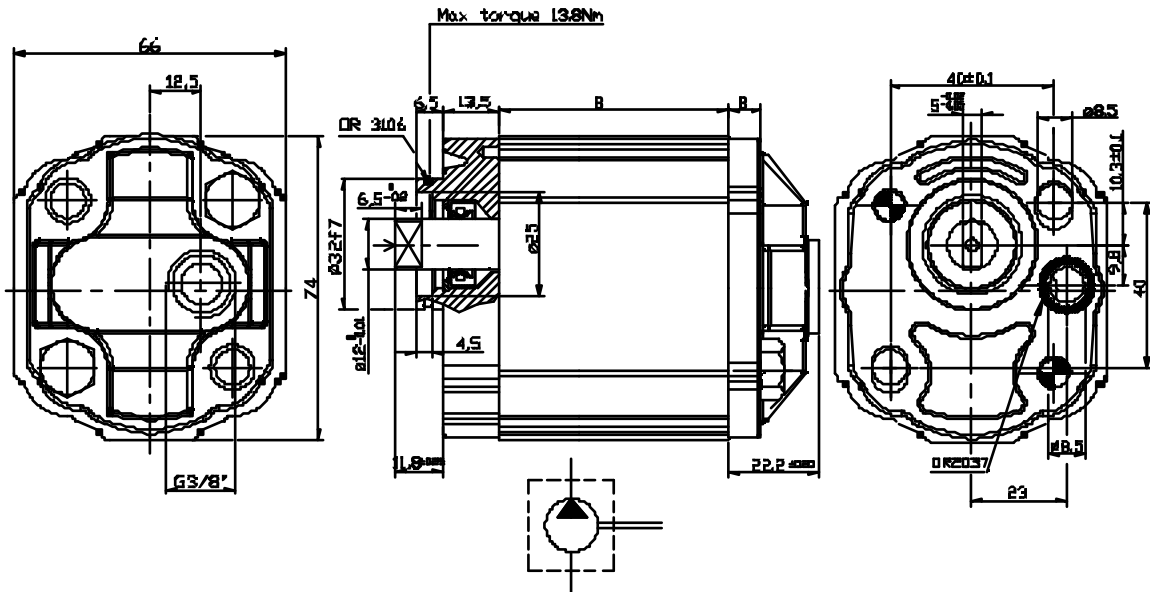


## GROUP 1 PUMPS- FOR POWER UNITS

**VERSION: N 14 B2**



Type	Displacement (cc/rev)	Max working pressure P1 (bar)	Peak pressure P3 (bar)	Max speed (rpm)	Dimension B (mm)	Absorbed torque at 150 bar (Nm)	Code (Clockwise)
OT 100 P07	0.73	200	240	5000	36.7	1.8	PS1007001D
OT 100 P11	1.05	240	280	5000	37.8	2.4	PS1007002D
OT 100 P16	1.45	260	300	5000	39.5	4.2	PS1007003D
OT 100 P20	1.80	240	300	5000	40.9	5.2	PS1007004D
OT 100 P26	2.45	240	280	5000	43.0	6.7	PS1007005D
OT 100 P32	3.05	240	280	5000	45.0	8.3	PS1007006D
OT 100 P40	3.80	220	260	4500	47.8	10.1	PS1007007D
OT 100 P49	4.70	200	240	4500	50.9	12.7	PS1007008D
OT 100 P58	5.55	180	220	4000	54.0	15.0	PS1007009D
OT 100 P65	6.25	160	200	3750	56.5	16.8	PS1007010D
OT 100 P79	7.60	140	180	3500	61.2	20.5	PS1017001D

### EXAMPLE OF ORDERING CODE

OT100 P 20 D / N 14 B2

Series

Pump

Displacement ( see above table )

Rotation

D clockwise

B2= Flange for clockwise

Tang shaft

Body without ports

 Screws tightening torque : 28 ± 30 Nm